

COMPRESSION  
RING

HOPPER  
COMPONENT



FILE 3.10  
VERSION 1  
24/10/2019



## TECHNICAL SPECIFICATIONS

UPN bent profiles of structural steel to join cylinder – hopper sector and pillars (legs).

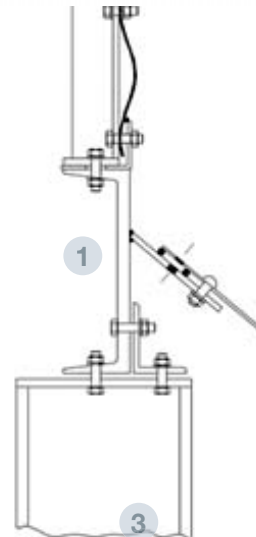
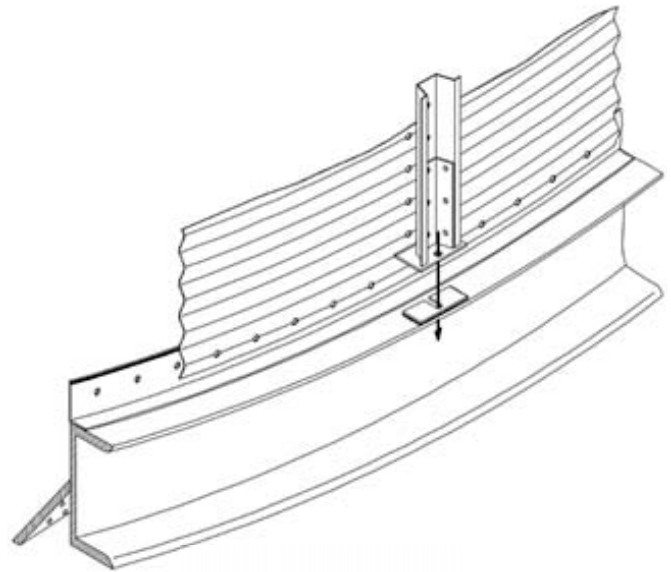
Used on SCE silos to all diameters: 4.60, 5.35, 6.10, 6.87, 7.60, 8.40, 9.20, 9.93, 10.7, 11.45 and 12.23.

According to the requirements the UPN height can be: 200, 220, 240, 260, 300 and 320mm.

On diameters 10.7, 11.45 y 12.23 the compression ring is double.

Over the compression ring are fixed the bodysheets and stiffeners from the lowest level (B), onto its inside sheet are fixed the hopper sheets (C) and all together is supported by the structure (D).

The compression rings has a length of 2400mm, it's necessary to assemble several to complete the silo's circumference.



## PARTS AND MATERIALS

- 1 COMPRESSION RING
  - MATERIAL: galvanised steel S275JR + HDG