

CONNECTION
TUBES

ACCESSORIES
CYLINDER



FILE 5.51
VERSION 2. 13/08/2021

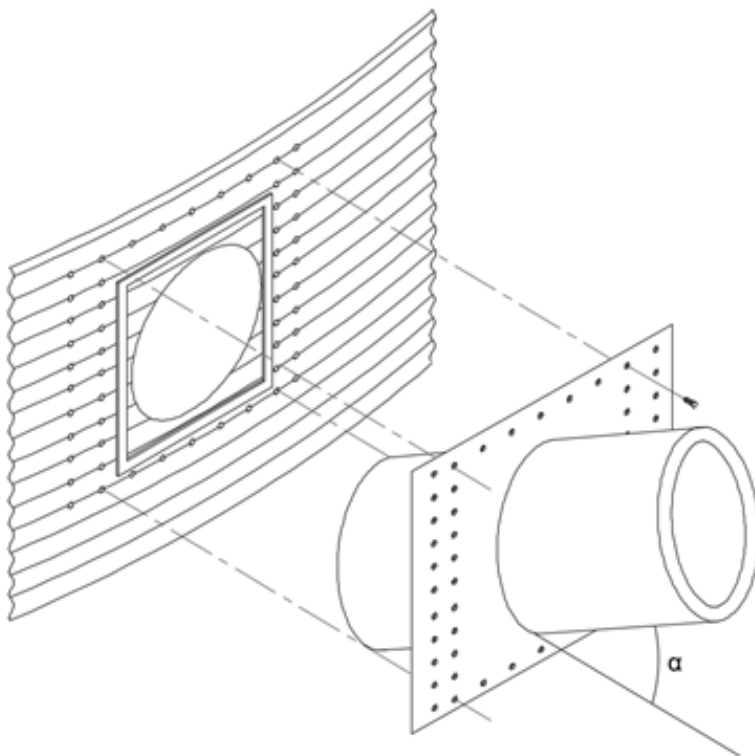
COD. ASO***JPT**

TECHNICAL SPECIFICATIONS

Consisting of some tubes passing through the bodysheets, welded, in order to place unloading systems or aeration.

Sealing between the bodysheet and tube sheet is made by FOAM 20x15mm.

The following diameters of tubes and slopes available:



ANGLES (α)	DIAMETERS (mm)
45°	250
45°	300
45°	350
45°	400
45°	450
45°	500
30°	250
30°	300
30°	350
30°	400
30°	450
30°	500