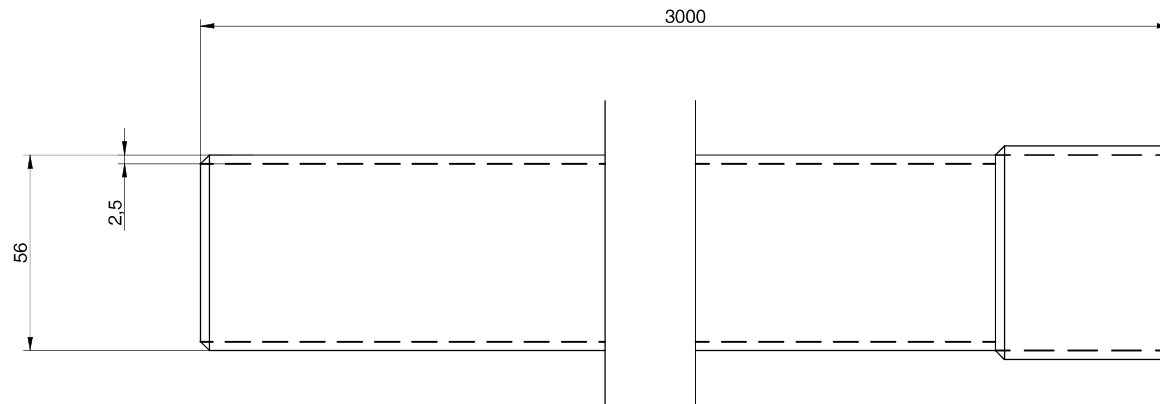
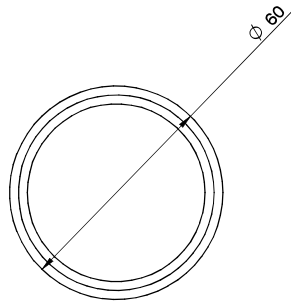
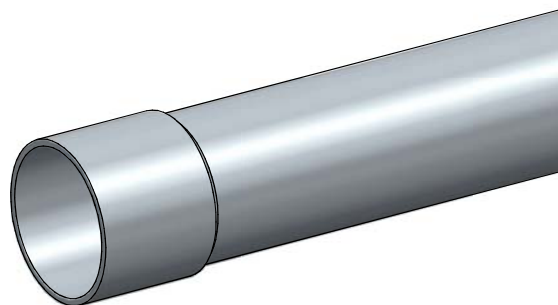


# // TUBOS Y CURVAS



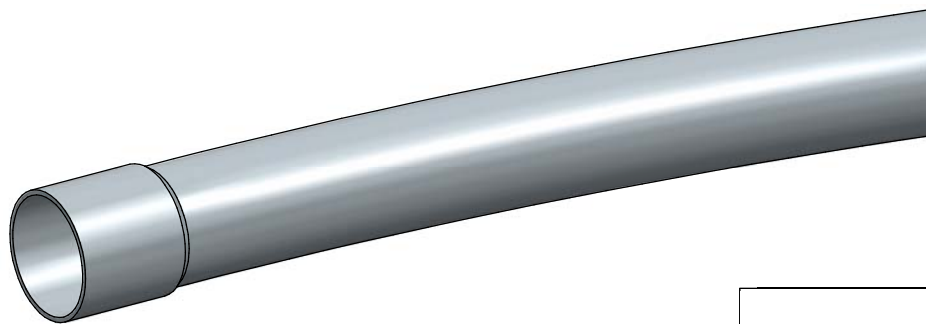
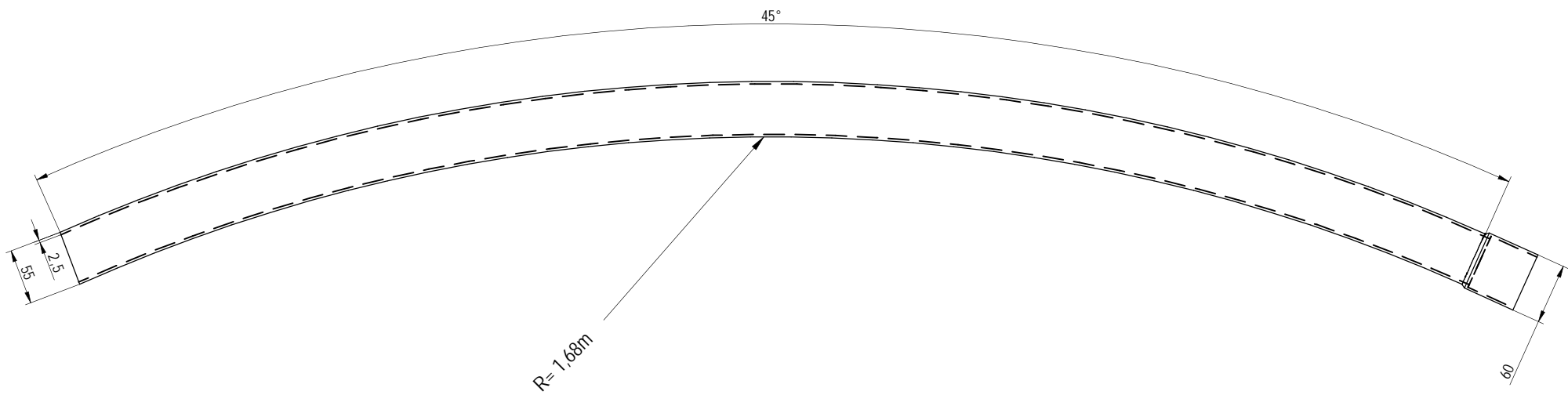
 **SYMAGA**



Tubo PVC blanco Ø56 mm L= 3,000m e= 2,50mm abocardado ranurado y biselado  
White PVC tube Ø56 mm L= 3,000m thickness= 2,50mm widened stotted and beveled  
Tube PVC blanc Ø56 mm L= 3,000m e= 2,50mm évasé, rainuré et biséauté

S/E

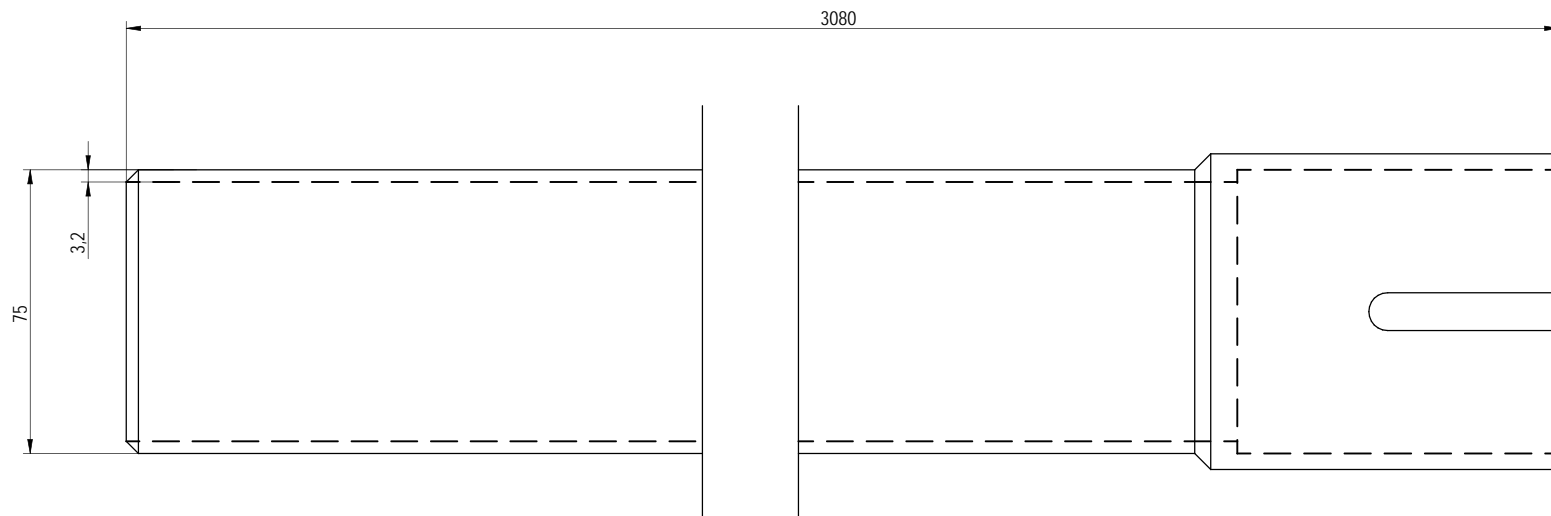
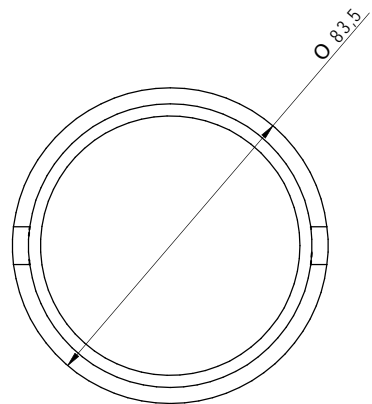
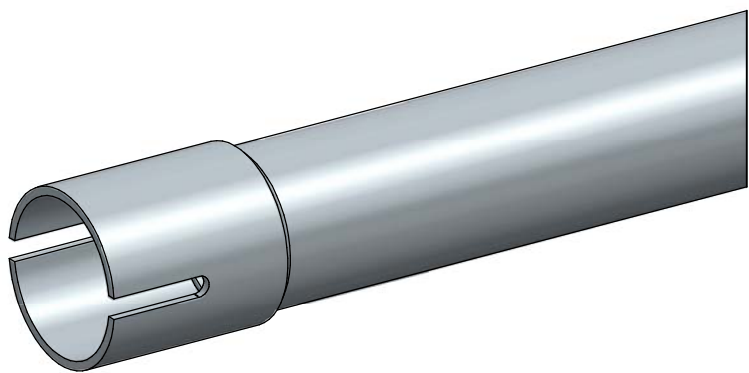
COD: 3G0201401101



Curva PVC blanco Ø56 mm R= 1,68m 45° e= 2,50mm abocardado ranurado y biselado  
 White PVC elbow Ø55 mm R= 1,68m 45° thickness= 2,50mm widened slotted and beveled  
 Courbe PVC blanche Ø55mm R= 1,68m 45° e= 2,50mm évasée, rainurée et biséautée

S/E

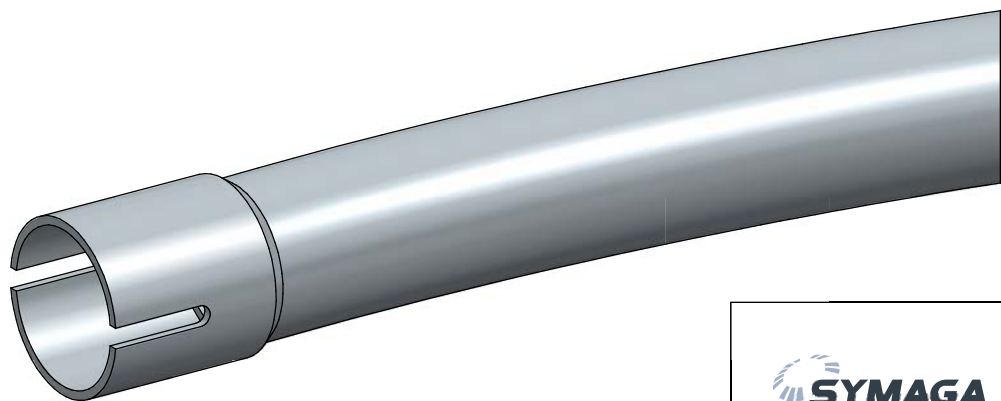
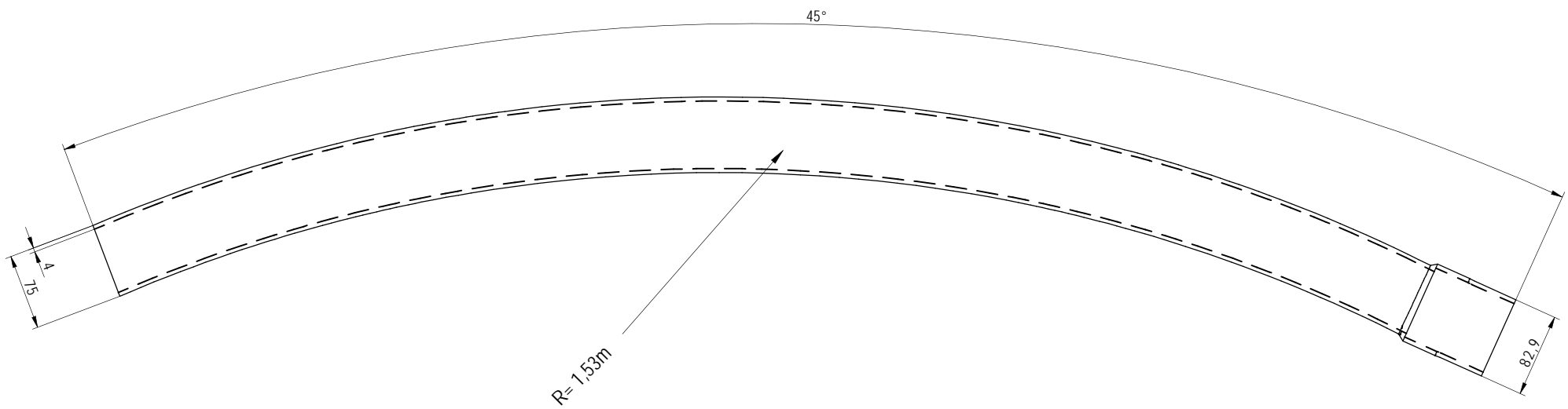
COD: 3G0201401201



Tubo PVC blanco Ø75 mm L= 3,080m e= 3,20mm abocardado ranurado y biselado  
 White PVC tube Ø75 mm L= 3,080m thickness= 3,20mm widened slotted and beveled  
 Tube PVC blanc Ø75 mm L= 3,080m e= 3,20mm évasé, rainuré et biséauté

S/E

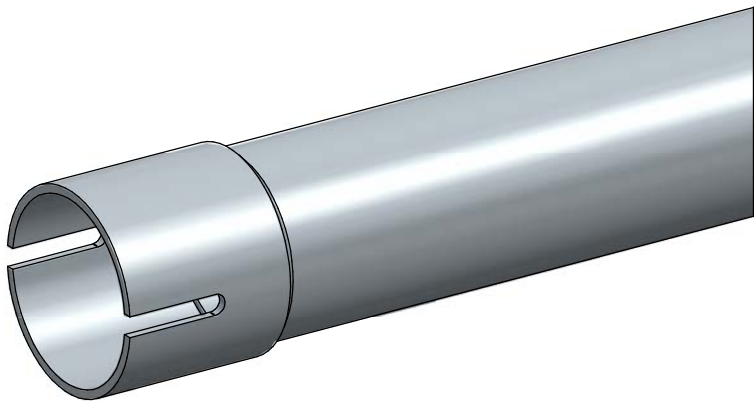
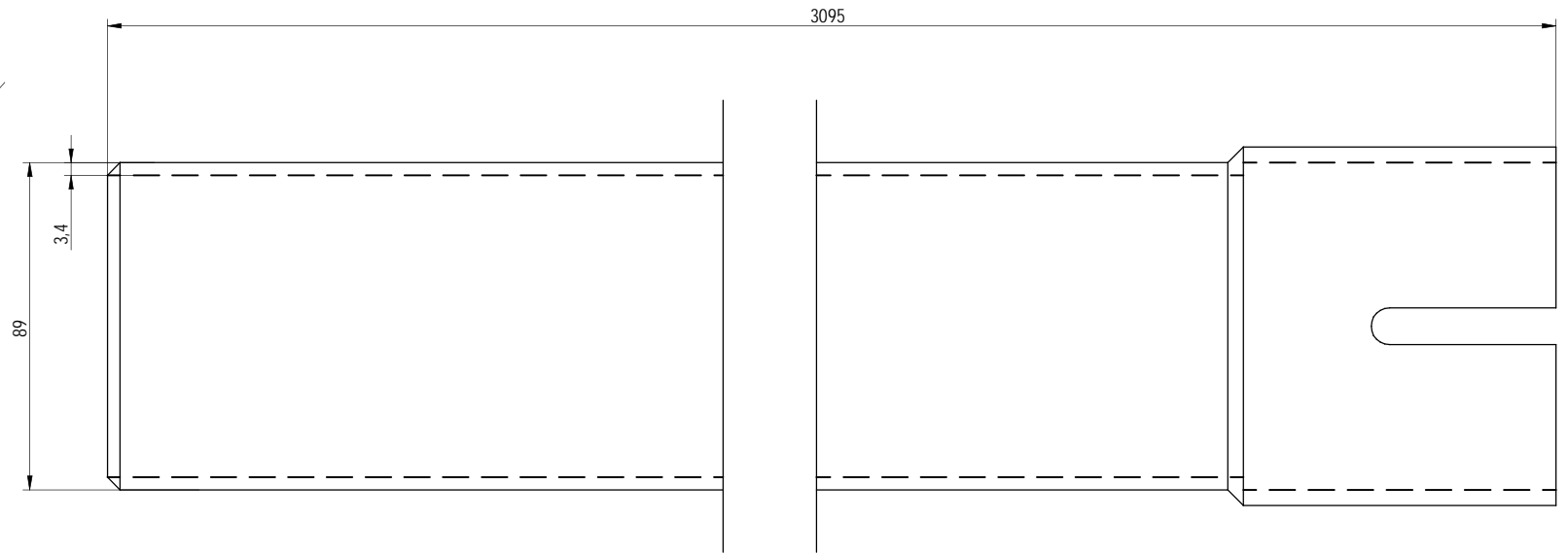
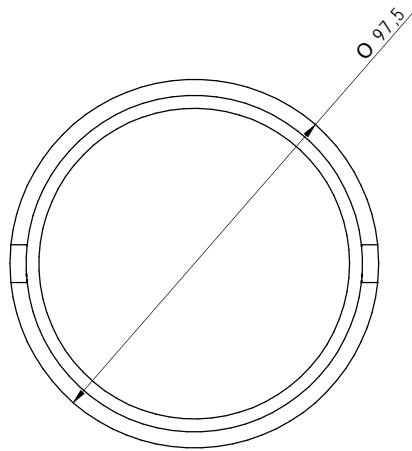
COD: 3G0201402101



Curva PVC blanco Ø75 mm R= 1,53m 45° e= 4,00mm abocardado ranurado y biselado  
 White PVC elbow Ø75 mm R= 1,53m 45° thickness= 4,00mm widened slotted and beveled  
 Courbe PVC blanche Ø75mm R= 1,53m 45° e= 4,00mm évasée, rainurée et biséautée

S/E

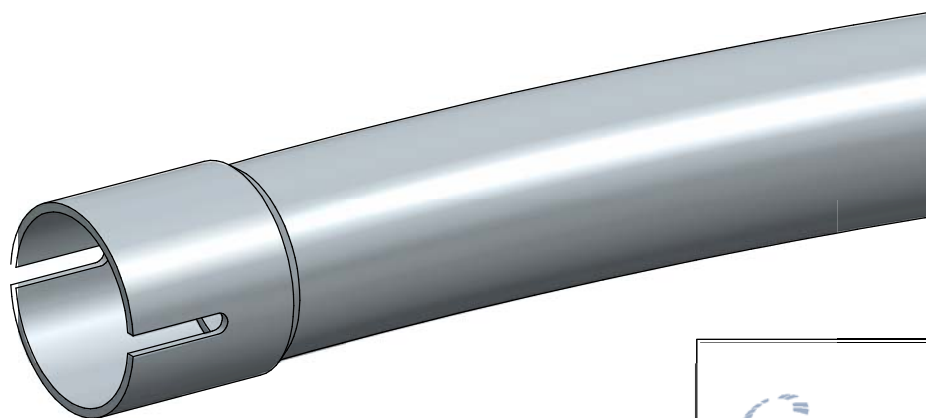
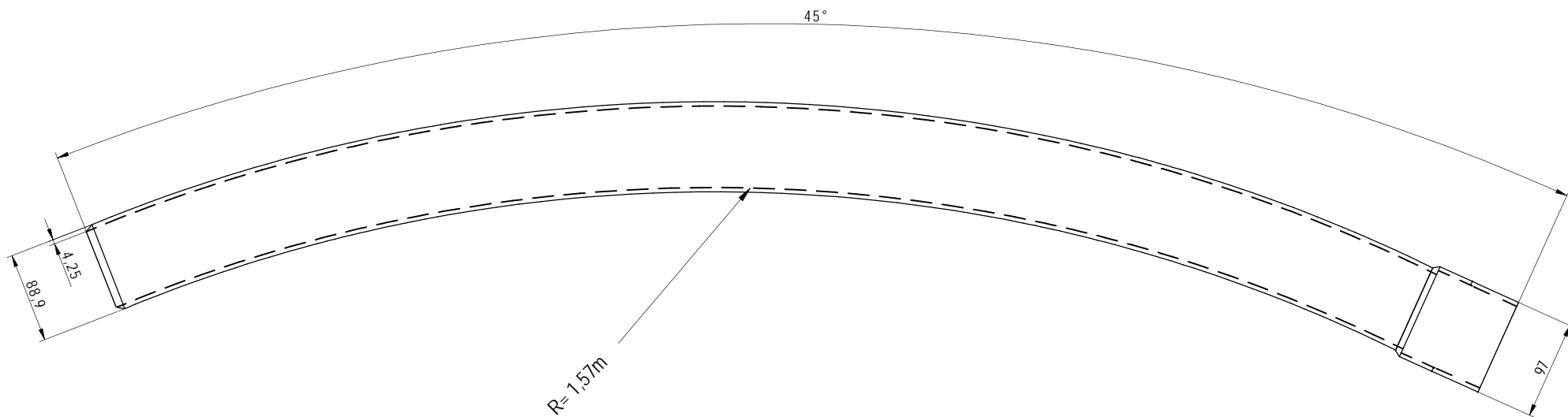
COD: 3G0201402201




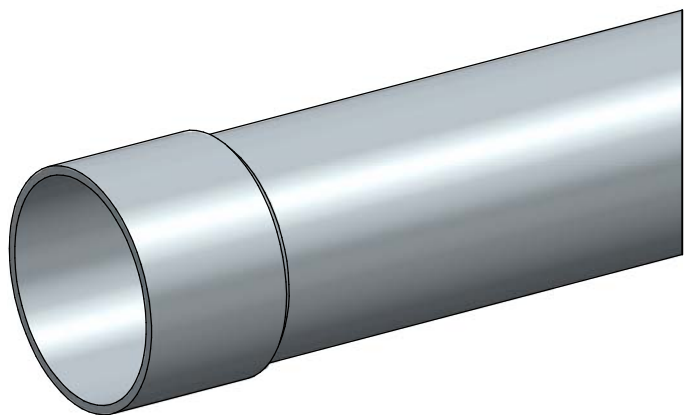
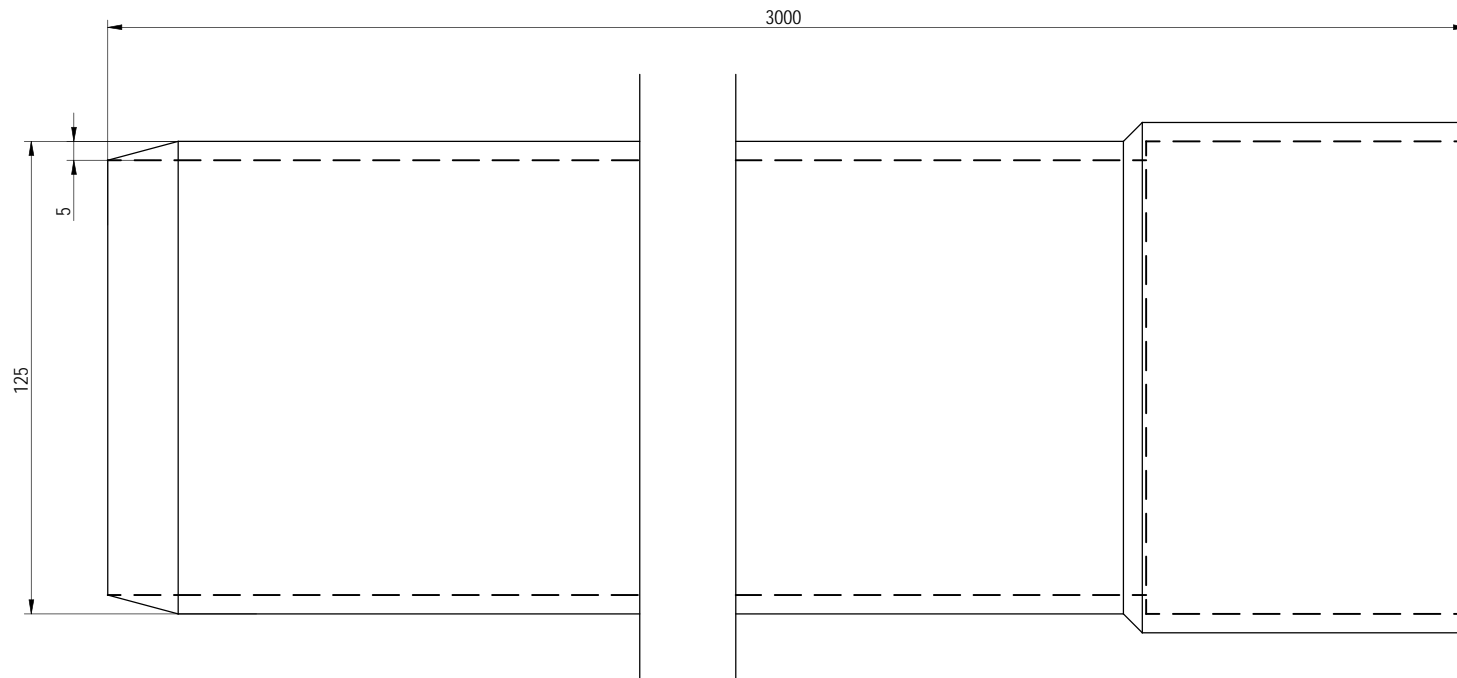
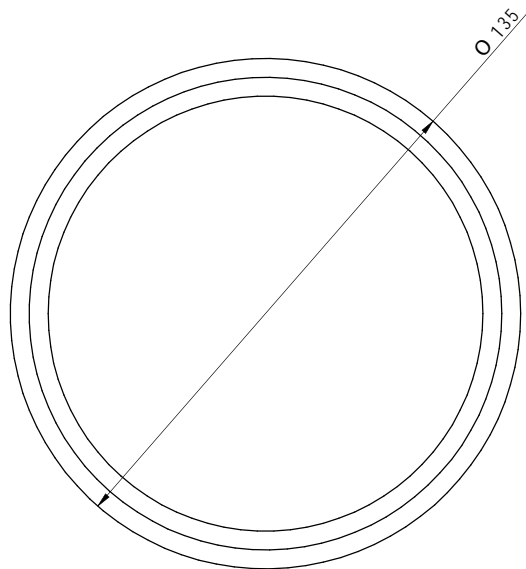
Tubo PVC blanco Ø90 mm L= 3,095m e= 3,40mm abocardado ranurado y biselado  
 White PVC tube Ø90 mm L= 3,095m thickness= 3,40mm widened slotted and beveled  
 Tube PVC blanc Ø90 mm L= 3,090m e= 3,40mm évasé, rainuré et biséauté

S/E

COD: 3G0201403101



	Curva PVC blanco Ø89 mm R= 1,57m 45° e= 4,25mm abocardado ranurado y biselado White PVC elbow Ø89 mm R= 1,17m 45° thickness= 4,25mm widened slotted and beveled Courbe PVC blanche Ø90mm R= 1,57m 45° e= 4,25mm évasée, rainurée et biséautée		
	S/E		
COD: 3G0201403201			

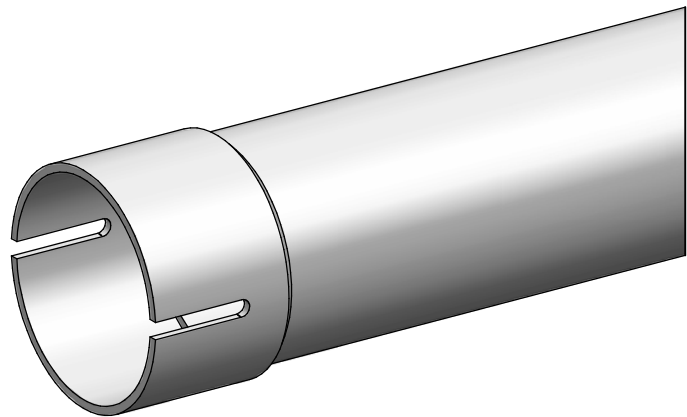
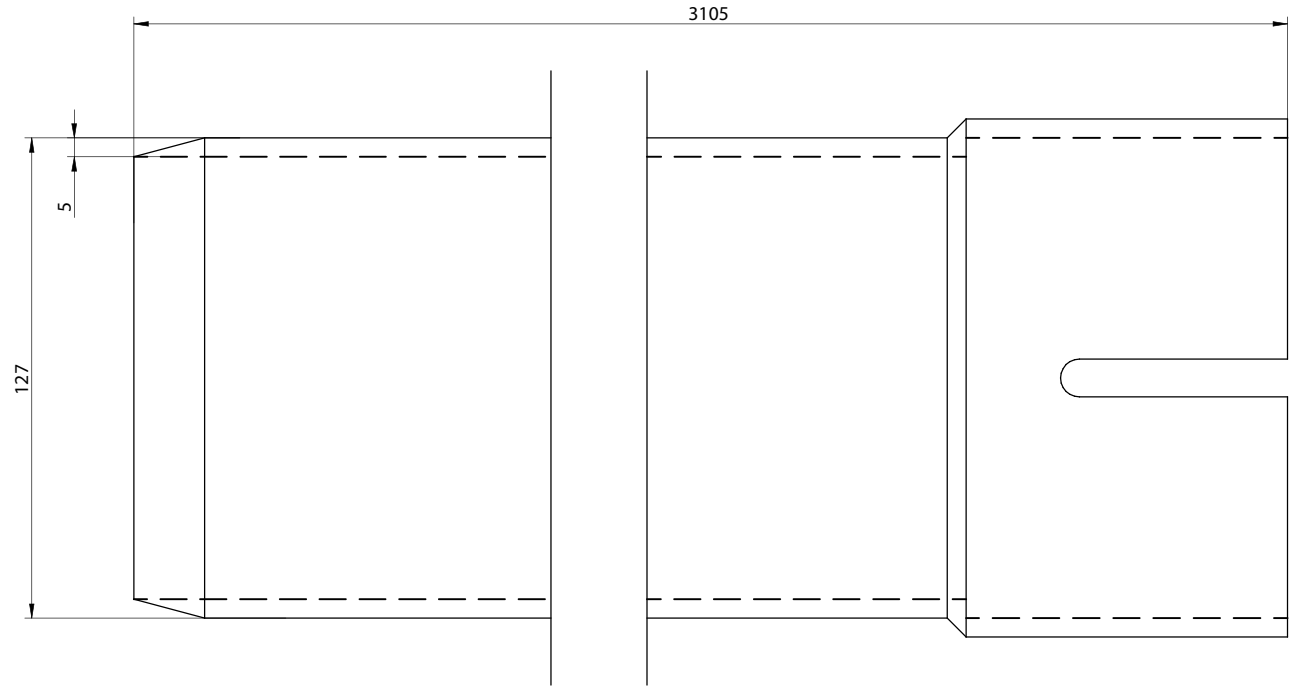
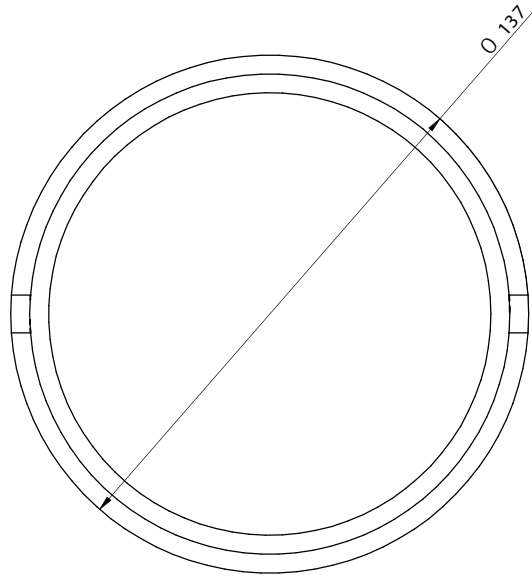


Tubo PVC blanco  $\varnothing 125$  mm L= 3,000m e= 5,00mm abocardado ranurado y biselado  
 White PVC tube  $\varnothing 125$  mm L= 3,000m thickness= 5,00mm widened slotted and beveled  
 Tube PVC blanc  $\varnothing 125$  mm L= 3,000m e= 5,00mm évasé, rainuré et biséauté

S/E

COD: 3G0201404101

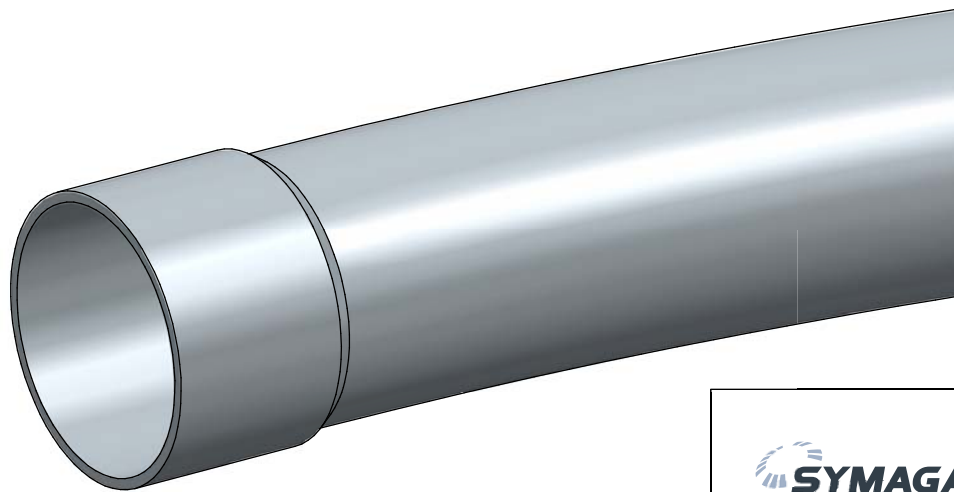
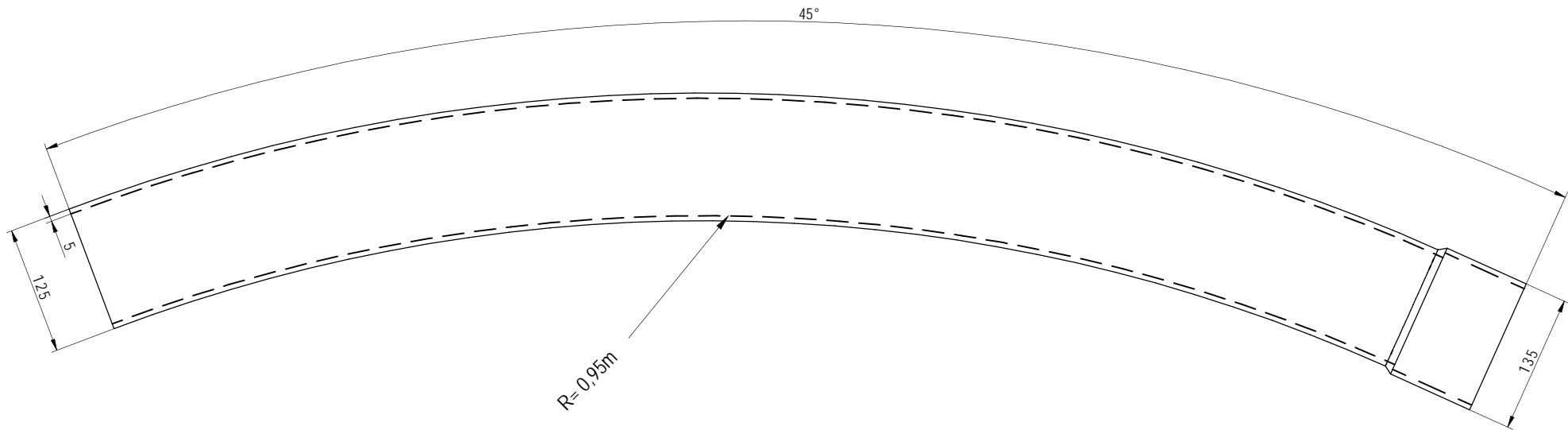





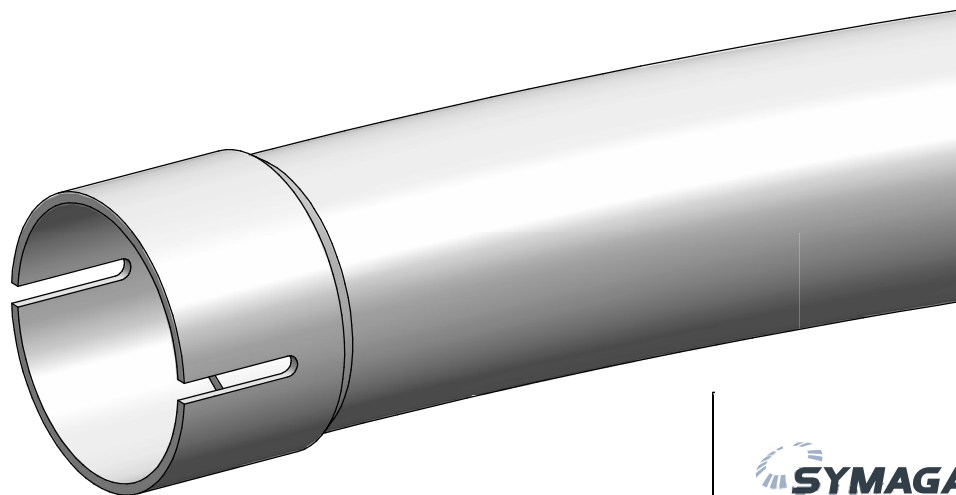
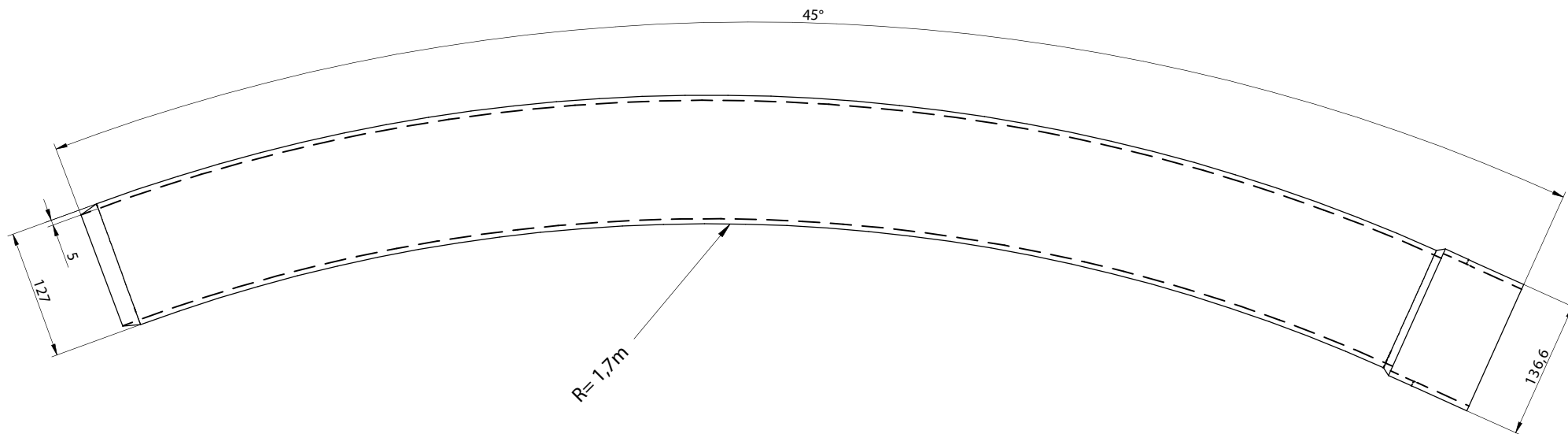
Tubo PVC blanco Ø127 mm L= 3,105m e= 5,00mm abocardado ranurado y biselado  
 White PVC tube Ø127 mm L= 3,105m thickness= 5,00mm widened slotted and beveled  
 Tube PVC blanc Ø127 mm L= 3,105m e= 5,00mm évasé, rainuré et biséauté

S/E

COD: 3G0201404102



	Curva PVC blanco Ø125 mm R= 0,95m 45° e= 5,00mm abocardado ranurado y biselado White PVC elbow Ø125 mm R= 0,95m 45° thickness= 5,00mm widened slotted and beveled Courbe PVC blanche Ø125mm R= 0,95m 45° e= 5,00mm évasée, rainurée et biséautée		
	S/E		
COD: 3G0201404201			



Curva PVC blanco Ø127 mm R= 1,70m 45° e= 5,00mm abocardada ranurada y biselada  
 White PVC elbow Ø127 mm R= 1,70m 45° thickness= 5,00mm widened slotted and beveled  
 Courbe PVC blanche Ø127mm R= 1,70m 45° e= 5,00mm évasée, rainurée et biséautée

S/E

COD: 3G0201404202

[www.symaga.com](http://www.symaga.com)  
[symaga@symaga.com](mailto:symaga@symaga.com)

Oficinas y Fábrica  
Ctra. de Arenas, km. 2,300  
13210 Villarta de San Juan  
Ciudad Real - España  
T: +34 926 640 475

