

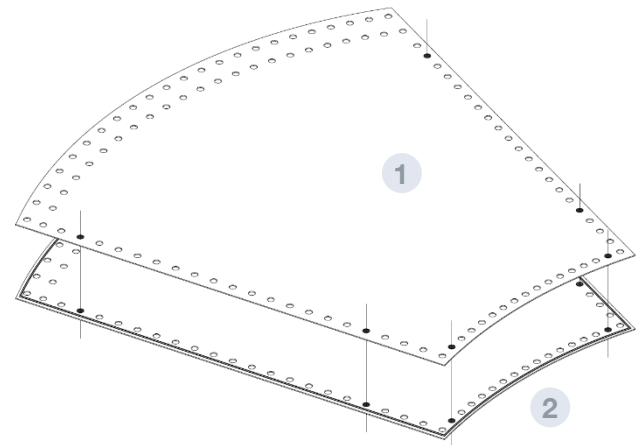
HOPPER LINING

ACCESSORIES EXTERNAL FINISHES



FILE 5.27
VERSION 2. 13/08/2021

COD. ASFORROTO****B



TECHNICAL SPECIFICATIONS

Steel sheet located on the hopper sheets due to aesthetic qualities.

Does not create air chamber.

INSTALLATION:

1. Bolted joint hopper sector – hopper cover in several points.
2. Standard installation on the hopper.

PARTS AND MATERIALS

- 1 HOPPER COVER**
 - Steel sheet with trapezoidal shape, similar to a hopper sheet.
 - Colors White, Green or blue.
 - MATERIAL: DX51 Z225 GS 25/7
- 2 HOPPER SHEET**
- 3 CYLINDER COVER**
- 4 BODYSHEET**

