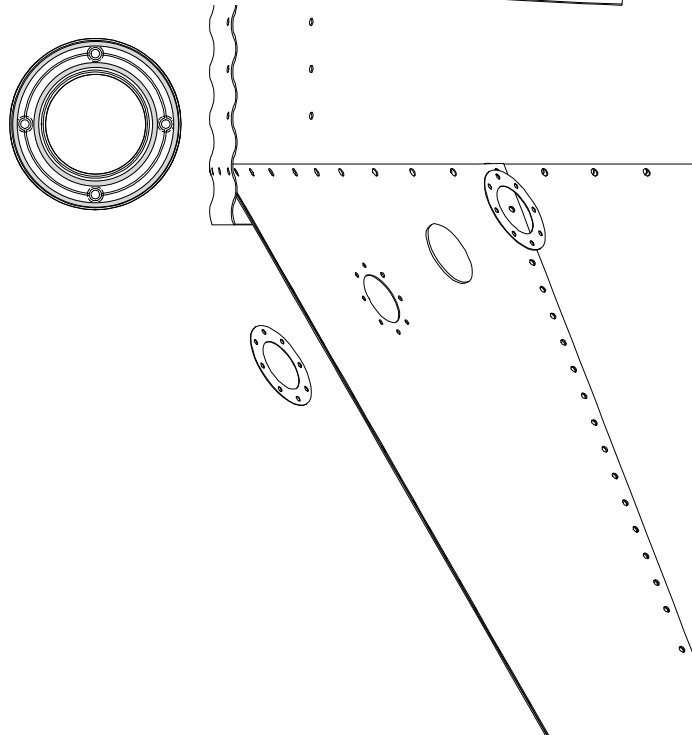
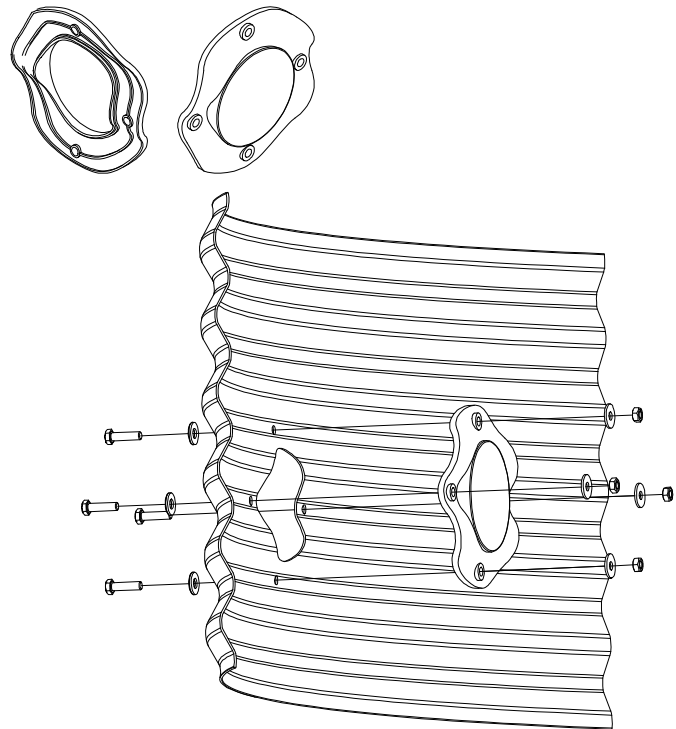




TECHNICAL SPECIFICATION

In cylinder and in hopper, maximum or minimum.
In hopper it is included as a standard component.

Easy and quick overview of feed level.



PARTS AND MATERIALS

- 1 CYLINDER
 - Diameter 110mm
 - MATERIAL: High strength polycarbonate.
- 2 HOOPER
 - Diameter 110mm
 - MATERIAL: High strength polycarbonate and stainless steel flange.