

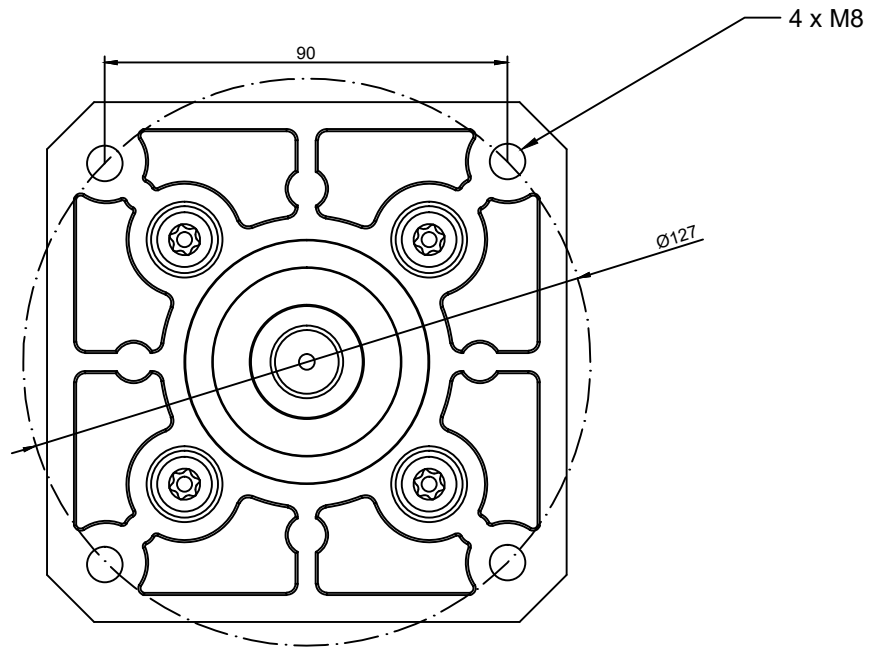


|              | TIPO/TYPER                                                                                         | P (HP) | i    | rpm | Ø (mm) |
|--------------|----------------------------------------------------------------------------------------------------|--------|------|-----|--------|
| 3MR05III0300 |  230/400V 50/60Hz | 0.5    | 4.75 | 300 | 16     |
| 3MR10III0300 |  230/400V 50/60Hz | 1.0    | 4.75 | 300 | 16     |

### Brida / Flange



### Eje Ø16mm / Ø16mm shaft

