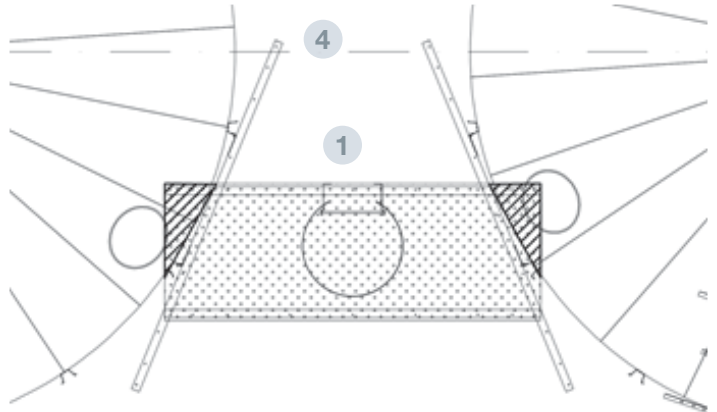


PLATFORM BETWEEN SILOS

ACCESSORIES SUPPLEMENTARY STRUCTURES



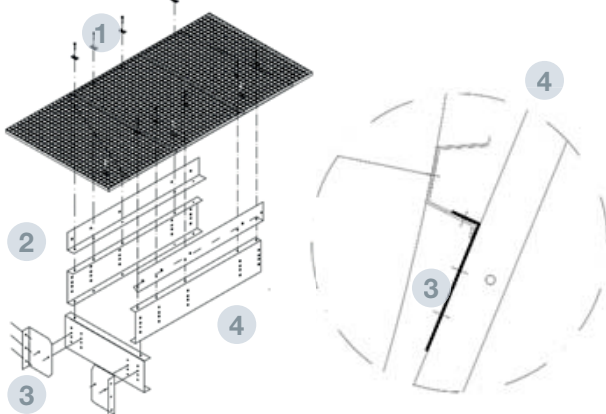
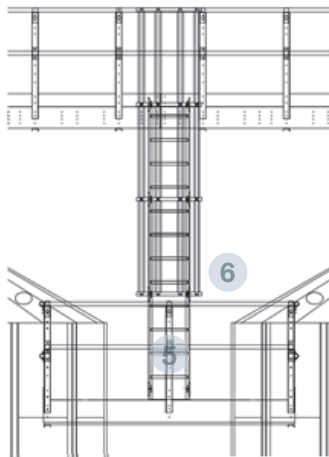
FILE 6.12
VERSION 2. 11/08/2021
COD. ASPLATENTRE*



TECHNICAL SPECIFICATIONS

Platform supported on 4 stringers, fixed to the silo reinforcements in the penultimate ring.

Can be standard floor or grid floor, handrail is included allowing access to the inspection doors of both silos.



PARTS AND MATERIALS

- 1 FLOOR**
 - Standard or grid floor to be placed on the stringers.
 - Material standard floor: Galvanized steel S280 GD Z600 MAC t= 3mm
 - Material grid: Trammex 30x30-25x2 Galvanized
- 2 FOOT PROTECTION**
 - Folded sheet for the floor-stringer connection.
 - Material: Acero galvanizado S280 GD Z600 MAC t= 3mm
- 3 LEG CLIP**
 - Folded sheet for the reinforce connection.
 - Material: Galvanized steel S280 GD Z600 MAC t= 3mm
- 4 STRINGER**
 - "U" 263x3000 profile, folded sheet, representing the main structure of the platform.
 - Material: Galvanized steel S280 GD Z600 MAC t= 3mm
- 5 HANDRAIL BRACKET**
 - "U" 263x3000 profile, folded sheet, representing the main structure of the platform.
 - Material: Galvanized steel S280 GD Z600 MAC t= 3mm
- 6 HANDRAIL TUBE**
 - TUBE Ø48x3000x1,5mm
 - Material: Galvanized steel
- 7 CLIPS**
 - Handrail tube- handrail bracket connection clips.
 - Material: Galvanized steel S280 GD Z600 MAC t= 3mm
- 8 STOPPER**
 - Used to close the handrail tube at the end.
 - Material: Polypropylene