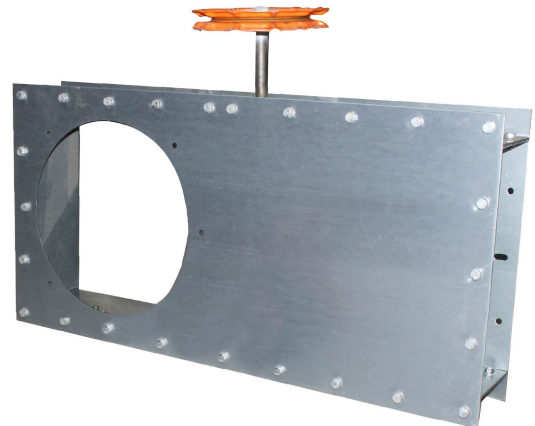


RACK PINION GATE MANUAL ACCESSORIES



FILE 1.10
VERSION 2. 27/09/2024

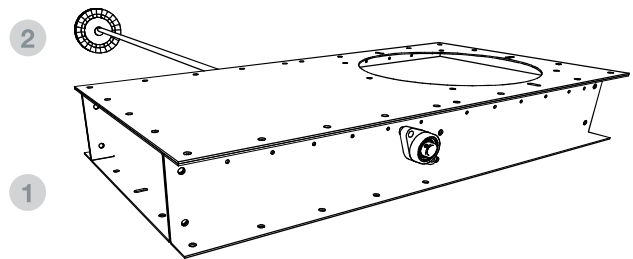
COD. G01A000S4C01



TECHNICAL CHARACTERISTICS

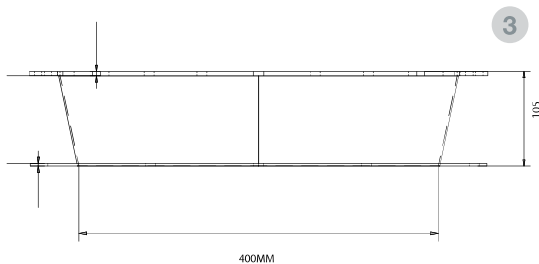
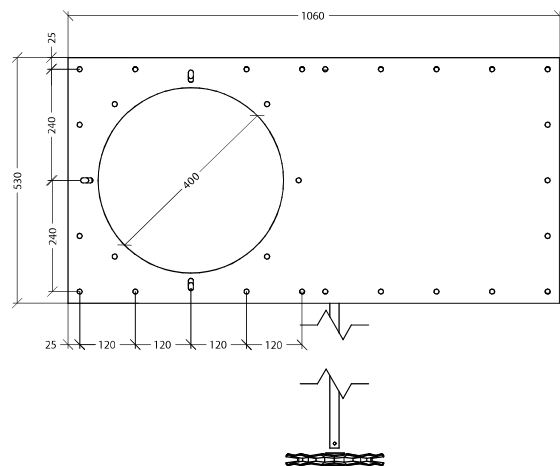
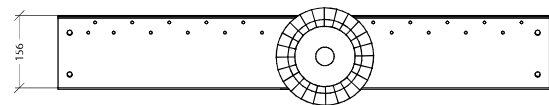
Manually operated rack gate.
Gates that are located at the outlet of the hopper silos
Size: 1060x530x156mm Ø400mm

USE to regulate the amount of material that comes out.



PARTS AND MATERIALS

- 1 BODY
· Material : Steel galvanized S280 GD Z600 MAC
e= 3mm
- 2 STEERING WHEEL
- 3 ADAPTACIÓN



* Symaga se reserva el derecho de hacer modificaciones para mejorar el producto o sistema sin notificación previa.