

ROOF
STAIRWAY

ACCESSORIES
STAIRS



FILE 5.7

VERSION 2. 14/06/2021

COD. AS****ESCTECH,
AS****ESCTECHT



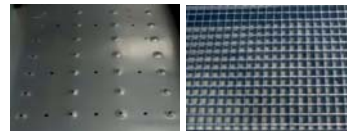
TECHNICAL SPECIFICATIONS

Stair with platform steps to improve the way eave – charge system.

There are two types of steps: Tramex or standard.

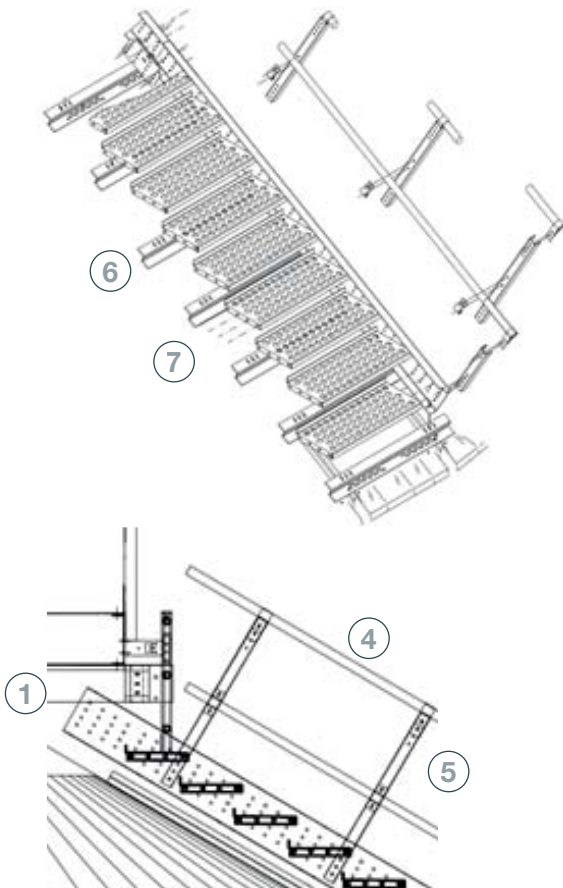
Always according to the rule UNE-EN ISO 14222.
The steep of the stair is 30°.

As standard package is sent with the chair a handrail and a vertical ladder (1140mm) to access to the catwalk.



Standard

Tramex



PARTS AND MATERIALS

- 1** "U" 263
 - "U" 263 profile of cold rolled steel. Lengths 3000, 2000 or 1000 mm
 - MATERIAL: galvanised steel S280 GD Z600 MAC e= 3mm
- 2** SPLICE
 - To connect "U"263 parts
 - MATERIAL: Galvanised steel S280 GD Z600 MAC e= 2mm
- 3** CLIPS
 - To join the handrail tube and the handrail bracket
 - MATERIAL: Galvanised steel S280 GD Z600 MAC e= 3mm
- 4** HANRAIL TUBE
 - Tube Ø48 mm and length 3000mm
 - MATERIAL: Galvanised steel S280 GD Z600 MAC e= 1.5mm
- 5** HANRAIL BRACKET
 - "U" profile of cold rolled steel fixed to "U" 263 and to support the handrail tubes
 - MATERIAL: Galvanised steel S280 GD Z600 MAC e= 3mm
- 6** Z SUPPORT
 - "Z" profile of cold rolled steel to join "U" 263 profiles to the roof sectors
 - MATERIAL: Galvanised steel S280 GD Z600 MAC e= 3mm
- 7** RUNG
 - Type Tramex or standard (sheet with holes) its dimensions are 822 x 330mm
 - MATERIAL: Galvanised steel S280 GD Z600 MAC e= 2mm