

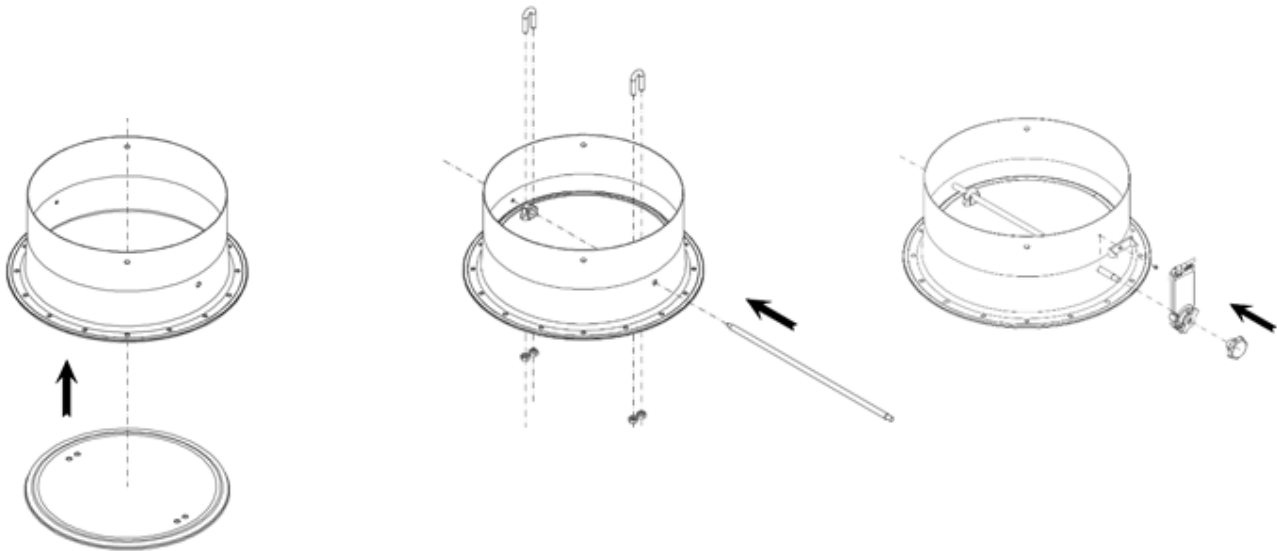
ROOF VENT FOR FUMIGATION

ACCESSORIES AERATION SYSTEM



FILE 5.6
VERSION 2. 13/08/2021

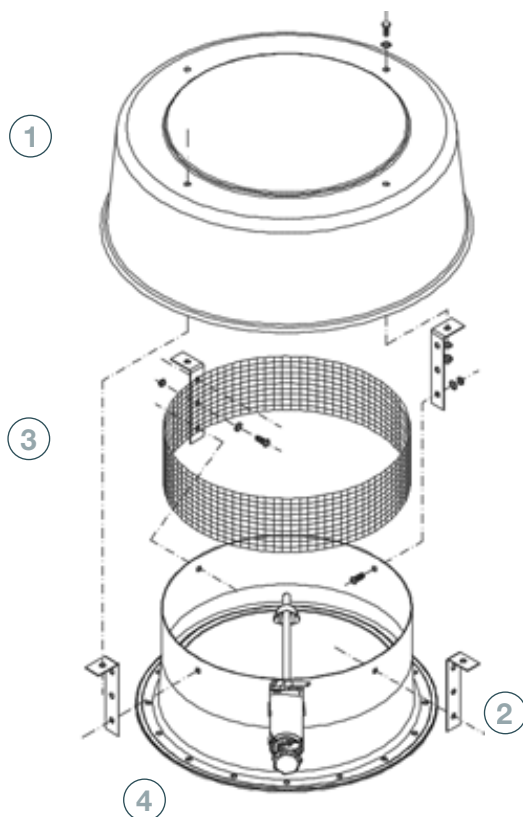
COD. ASAIRETC-ASAIRETF-
ASAIRETFC-ASAIRETD



TECHNICAL SPECIFICATIONS

Roof aeration with a motor gate to open and close.

To make fumigation treatments.



PARTS AND MATERIALS

- 1 **TOP COVER**
 - External protection of the system
 - MATERIAL: galvanised steel S280 GD Z600 MAC e= 1.5mm
- 2 **CLIP**
 - Bent sheet to join the top cover and the body
 - MATERIAL: Galvanised steel S280 GD Z600 MAC e= 2mm
- 3 **MESH**
 - Galvanised mesh (10x10x0,8) installed over the body
- 4 **BODY WITH GATE**
 - Aeration channel installed over the roof sector
 - It has a gate to open and close the system
 - MATERIAL: galvanised steel DDP + HDG e= 2mm
- 5 **ROOF SHEET FOR AERATION**
 - Standard roof sector with a hole (Ø420 mm)
 - MATERIAL: Galvanised steel S280GD ZM310 MAC e= 0.8mm
- 6 **FLANGE**
 - Circular sector to ensure the body
 - MATERIAL: Galvanised steel S280 GD Z600 MAC e= 2mm
- 7 **MOTOR**
 - Circular sector to ensure the body
 - MATERIAL: Galvanised steel S280 GD Z600 MAC e= 2mm
- 8 **CLOSURE SYSTEME**
 - MATERIAL: Galvanised steel S280 GD Z600 MAC