

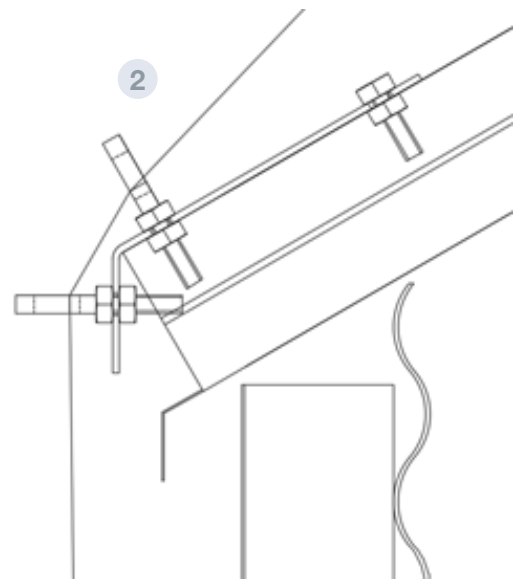
TECHNICAL SPECIFICATIONS

Manual system to open the silo's cover from the ground floor.

It has a lathe to pull over a metallic rope and over the structure on the top cover. Automatically when the forces over the lathe finish the top cover returns to the initial position through the torsion springs.

It's available on diameters between 460 and 1223 and till 10 heights.

USE It allows the opening from the ground, being used only for silos for agricultural use that are loaded with a



PARTS AND MATERIALS

- 1 **LATHE**
 - Manual system to pull over the metallic rope
- 2 **METALLIC ROPE**
 - Metallic rope (e=2 mm, PLASTICIZED+6x19+1 DIU 30 60) from the lathe to the top cover
- 3 **TOP COVER**
 - Top cover of the silo over a structure with automatic return
 - MATERIAL: galvanised steel S280 GD Z600 MAC e= 2 y 3mm