

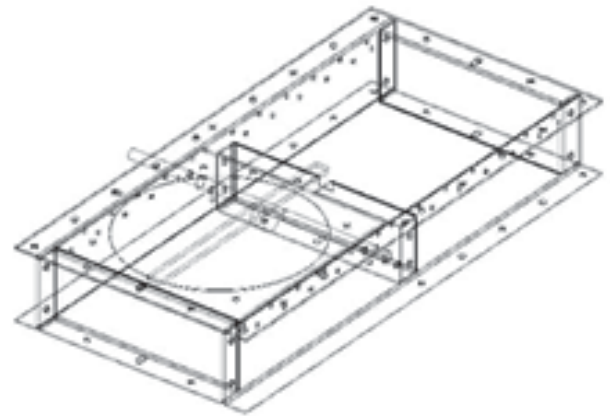
SLIDE GATE  
FOR HOPPER  
SILOS OUTLET

HOPPER



FICHA 5.50  
VERSIÓN 2. 14/06/2021

COD. RCARGA\*\*\*



## TECHNICAL CHARACTERISTICS

Gates that are located at the outlet of the hopper silos.

**USES** Open and close and to regulate the amount of material that comes out.

## MATERIALS

- Steel galvanized S280 GD Z600 MAC e= 3mm

## TYPES

DEPENDING ON THE SIZE:

1 400x400  
· Slide gate for silos

2 250x250  
· Side discharge gate

DEPENDING ON ITS ACTIVATION:

1 Manual  
· Slide gate manually activated.

2 Electric  
· An electric motor activates the gate, with 2 detectors

3 Pneumatic  
· For opening and closing, pneumatic piston is used.

4 Double  
· Consists of a manual slide gate and an electric slide gate in the same ensemble.