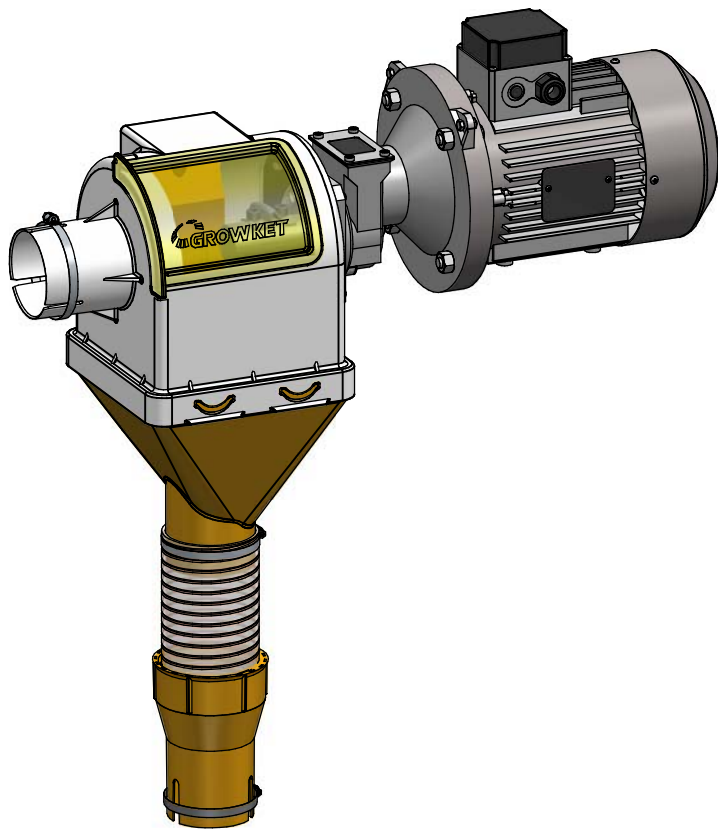


# // CONTROL UNIT UNIFLEX



 **SYMAGA**

# // UNIFLEX CONTROL UNIT

## HIGH SENSITIVITY SENSOR

High sensitivity safety sensor to stop and start the engine, avoiding breakdowns.

Two types: membrane sensor and mechanic sensor.

## RANGE

Available in diameters 75 and 90mm.

## TRANSPARENT REGISTRY

Large transparent register, for easy assembling and visibility, allowing to see the operation.

Safety lock to prevent accidental opening.

## DESIGN

Union of pieces by tabs, without screws, to facilitate assembly.

Inner edge to prevent water ingress and moisture.

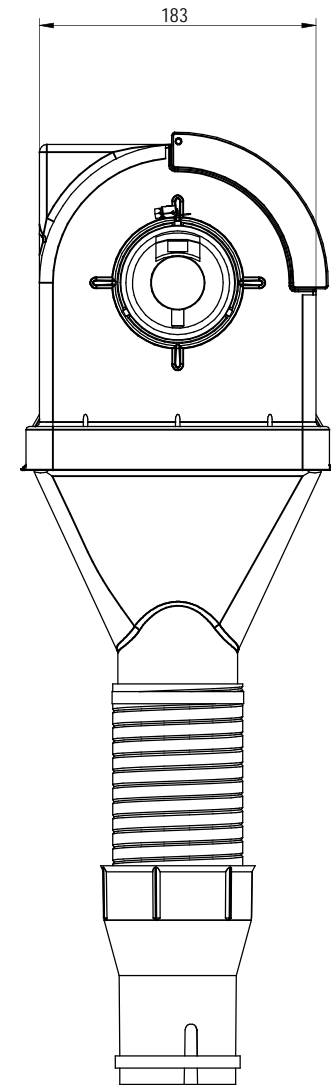
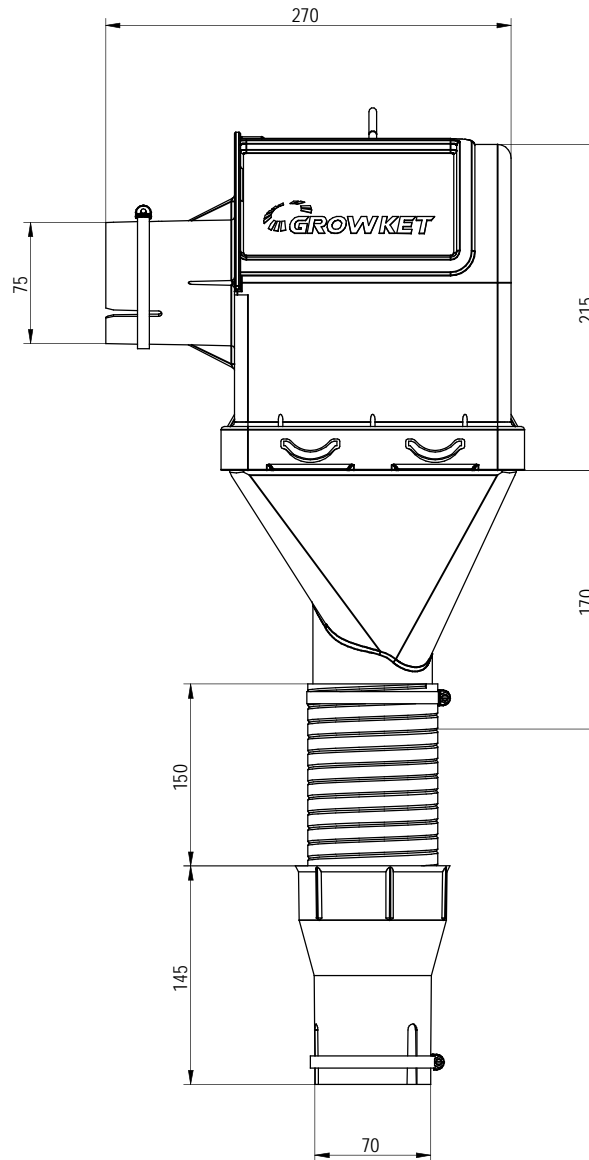
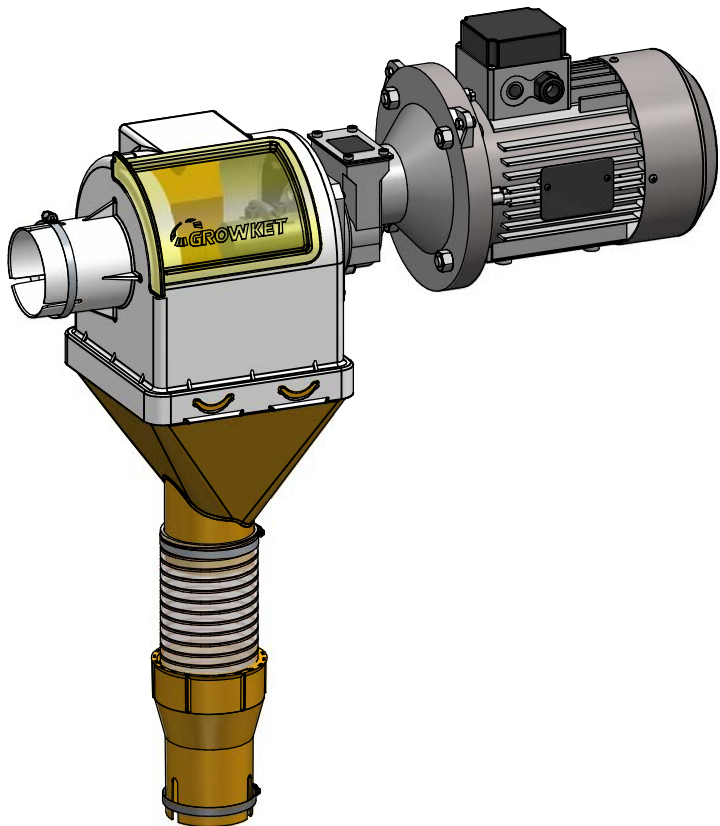
Funnel with two slopes that facilitates the feed flow and prevents the slope.

## COMPLEMENTS

Transparent flexible tube.

Connection to flexible tube by thread.

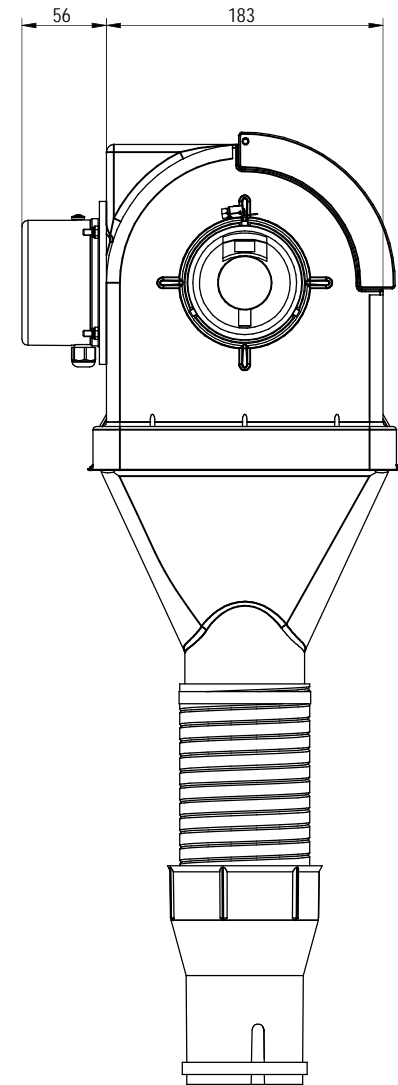
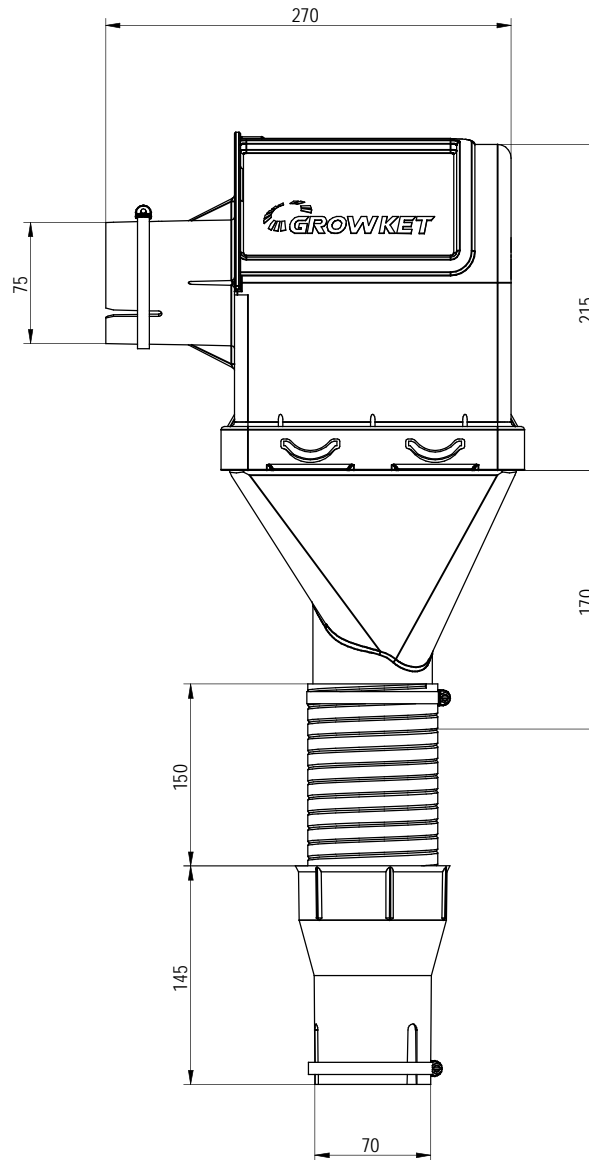
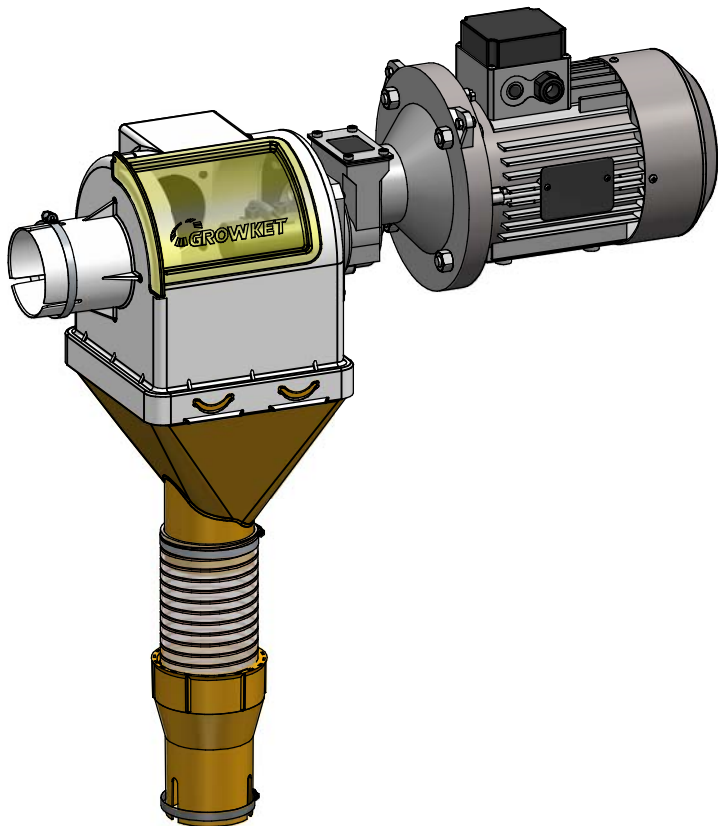





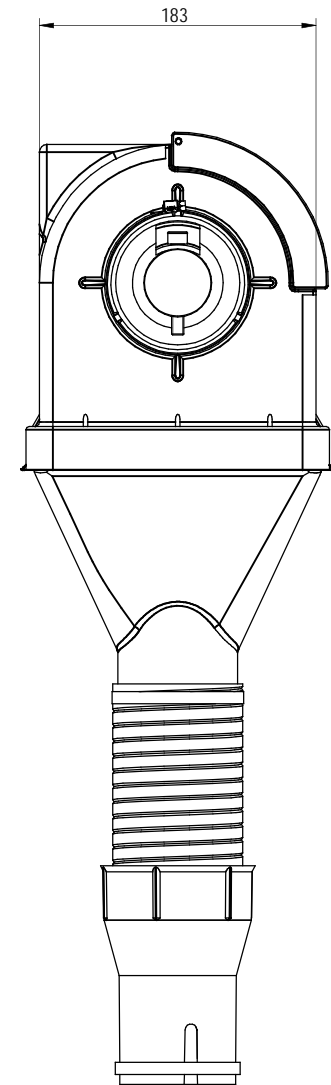
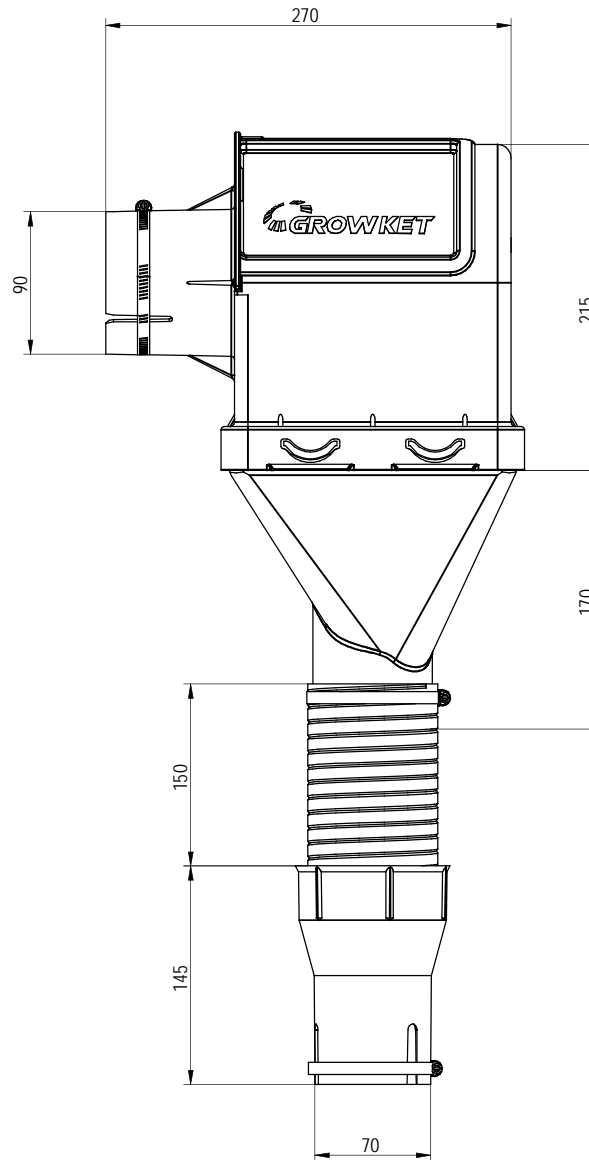
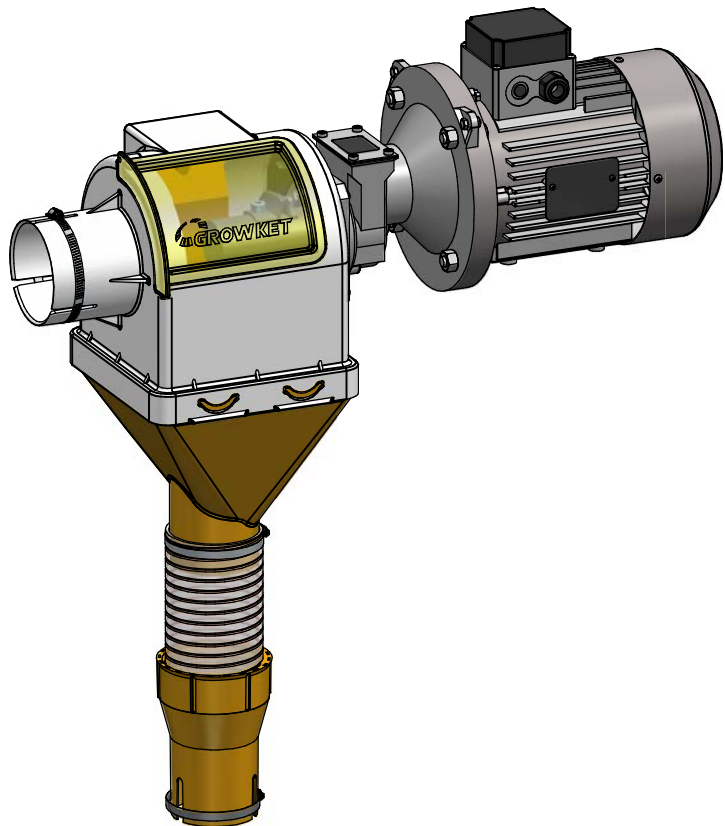
Unidad de Control UNIFLEX Ø75 con lengüeta de paro  
 UNIFLEX Control Unit Ø75 with stop tab  
 Unité de contrôle UNIFLEX Ø75 avec patte d'arrêt


S/E

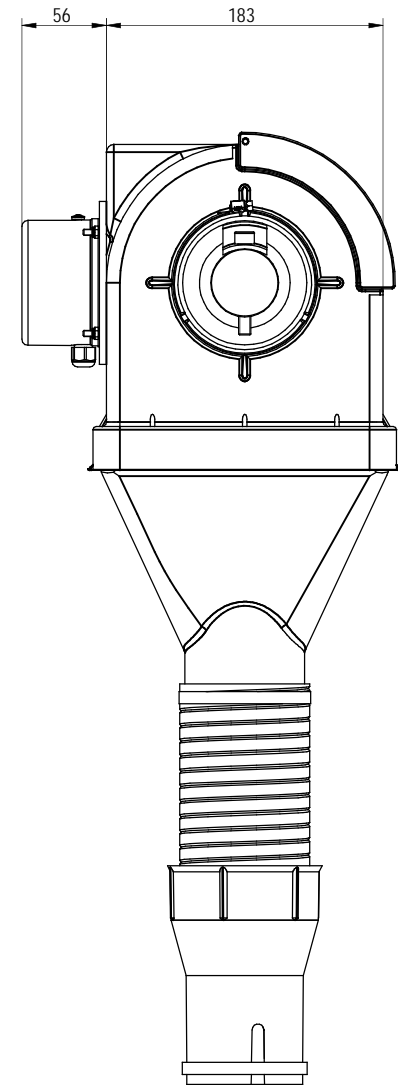
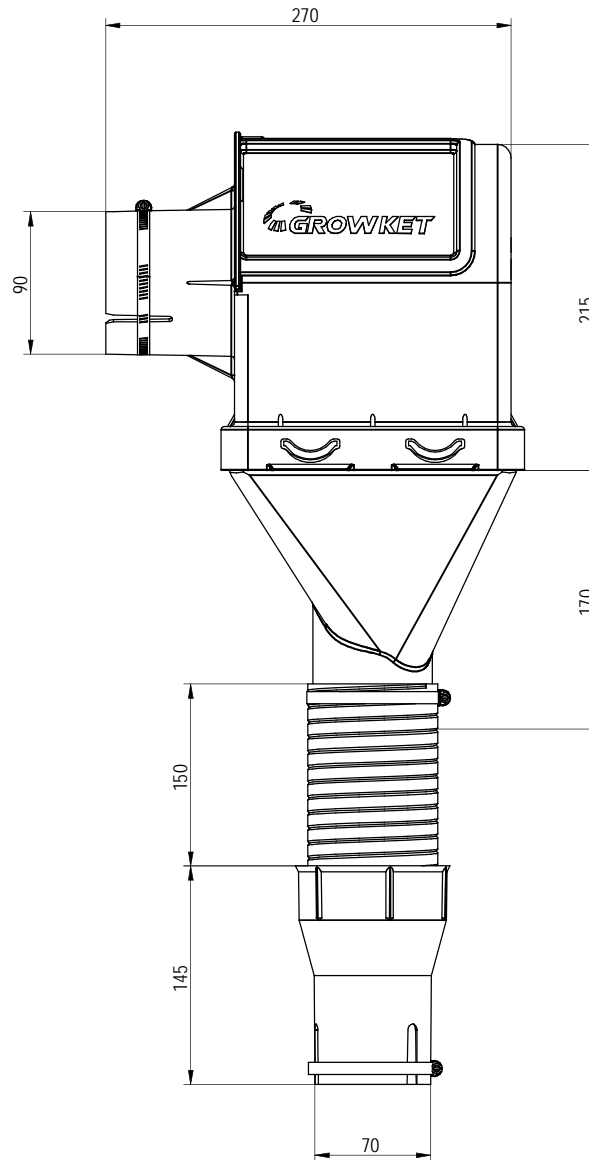
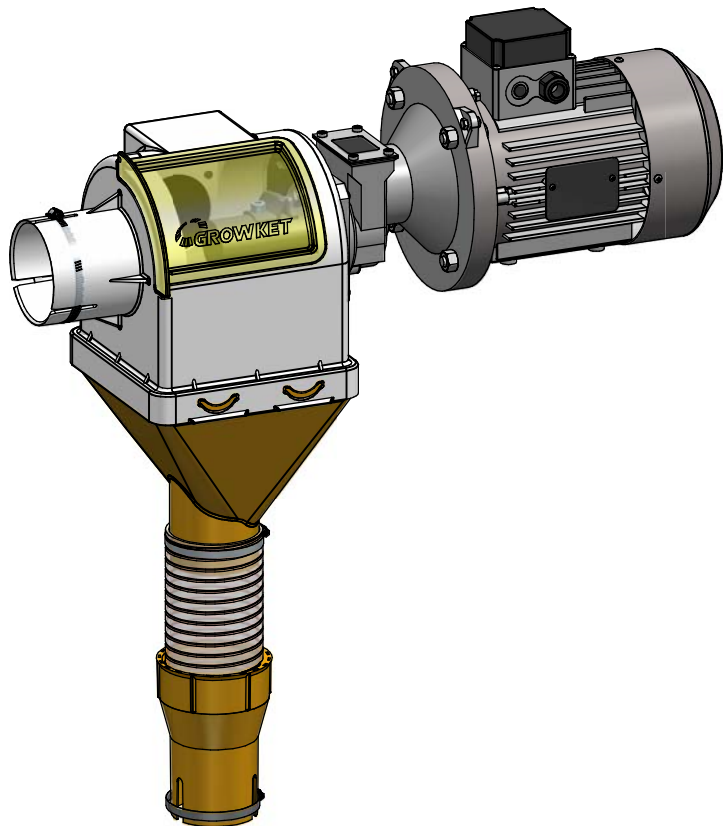
COD: G02012023000



	Unidad de Control UNIFLEX Ø75 con sensor membrana UNIFLEX Control Unit Ø75 with membrane sensor Unité de contrôle UNIFLEX Ø75 avec niveau à membrane		S/E
	COD: G02012024000		



	Unidad de Control UNIFLEX Ø90 con lengüeta de paro UNIFLEX Control Unit Ø90 with stop tab Unité de contrôle UNIFLEX Ø90 avec patte d'arrêt		S/E
	COD: G02012033000		



Unidad de Control UNIFLEX Ø90 con sensor membrana  
 UNIFLEX Control Unit Ø90 with membrane sensor  
 Unité de contrôle UNIFLEX Ø90 avec niveau à membrane

S/E

COD: G02012034000

[www.symaga.com](http://www.symaga.com)  
[symaga@symaga.com](mailto:symaga@symaga.com)

Office and Factory  
Ctra. de Arenas, km. 2,300  
13210 Villarta de San Juan  
Ciudad Real - Spain  
T: +34 926 640 475

