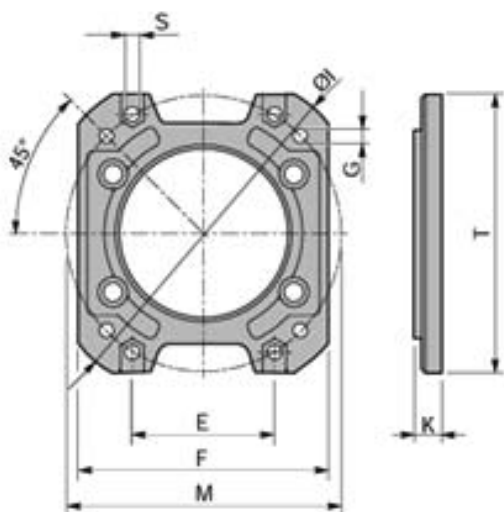


TECHNICAL CHARACTERISTICS

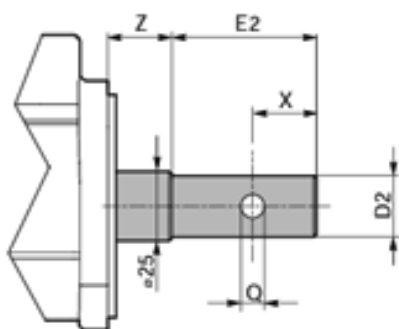
POWER KW	i	n2	AXIS Ø mm
1400 min 1	4,75	295	22*52

CODE	TIPO	POWER CV	MOTOR V	FREQUENCY Hz
3G99T0010A2A	Single Phase	1,0	230/400	50/60
3G99T0015A2A	Triphasic	1,5	230/400	50/60
3G99M515A2A	Single Phase	1,5	230	50
3G99M615A2A	Single Phase	1,5	230	60



FLANGE

DIMENSION	F	T	M	G	E	R	S	I	K
	116	129	127	M8	66	110	7	154	18



REDUCER SHAFT

DIMENSION	DR	E2	X	Z	Q
	22	52	23	23	8,5



MOTORREDUCTOR
GEARED MOTOR
MOTORÉDUCTEUR

S/E

Rev.0

3G99M615A2A 3G99M515A2A 3G99T0010A2A 3G99T0015A2A