

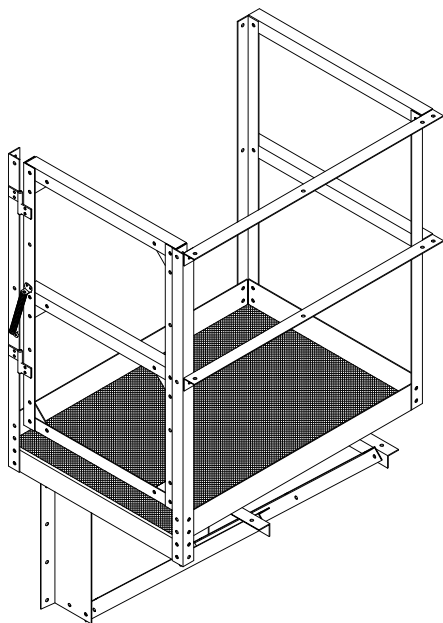
REST  
PLATFORM

ACCESSORIES  
STAIRS



FILE 1.7  
VERSION 1. 13/08/2021

COD. ASPLAT

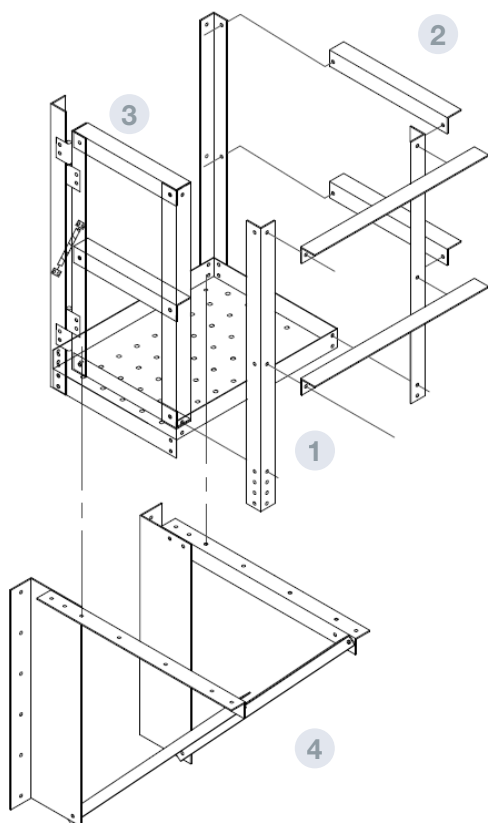


## TECHNICAL SPECIFICATIONS

Rectangular platform to rest on the vertical way of the ladder (when the ladder is higher than 10m).

The floor can be a sheet with holes or a Tramex structure.

Includes handrail and a door side on it.



## PARTS AND MATERIALS

- ① FLOOR
  - Dimensions: 1100x800 mm
  - Material: galvanised steel S 280 GD Z 600MAC e= 3 mm
- ② HANDRAIL
  - Material: galvanised steel S 280 GD Z 600MAC e= 3 mm
- ③ DOOR SIDE
  - Material: galvanised steel S 280 GD Z 600MAC e= 3 mm
- ④ SUPPORT
  - Material: galvanised steel S 280 GD Z 600MAC e= 3 mm