

ROOF
VENT

ACCESSORIES
AERATION
SYSTEM



FILE 1.4
VERSION 1 23/10/2024

COD. COD ASAIRETC, ASAIRETF,
ASAIRETC, ASAIRETD



TECHNICAL SPECIFICATIONS

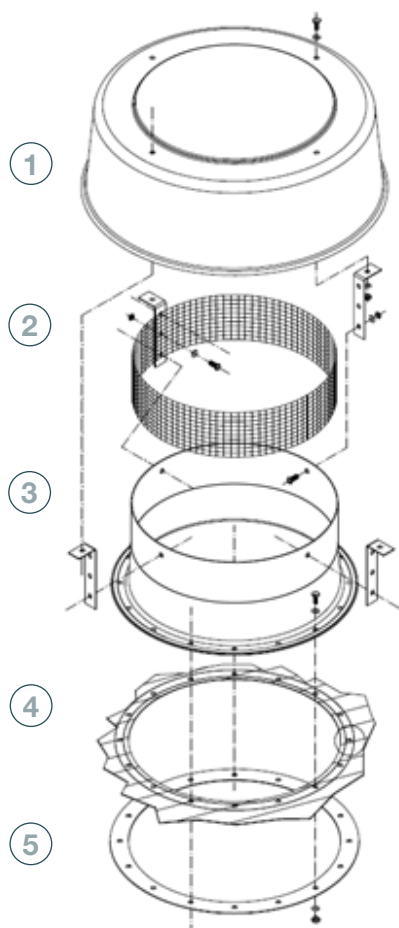
Aeration roof system to make the air flows on the watertanks's top and stop the rain and snow.

It's designed to maintain a constant flow on all the height with a constant area along its height.

It's installed over special roof sectors, with a hole of $\varnothing 420$ mm. Its height is variable, it has several positions.

USE

It allows to avoid condensation, evacuating the stale air.



PARTS AND MATERIALS

- 1 TOP COVER FOR AERATION
 - External protection join to the body through the clips
 - MATERIAL: Galvanised steel DDP + HDG e= 2mm
- 2 CLIP
 - Bent sheet to join the top cover and the body
 - MATERIAL: Galvanised steel S280 GD Z600 MAC e= 2mm
- 3 MESH
 - Galvanised mesh (10x10x0,8) installed over the body
- 4 BODY
 - Standard roof sector with a hole ($\varnothing 420$ mm)
 - MATERIAL: Galvanised steel S280GD ZM310 MAC e= 0.8mm
- 5 FLANGE
 - Circular sector to ensure the body
 - MATERIAL: Galvanised steel S280 GD Z600 MAC e= 2mm