

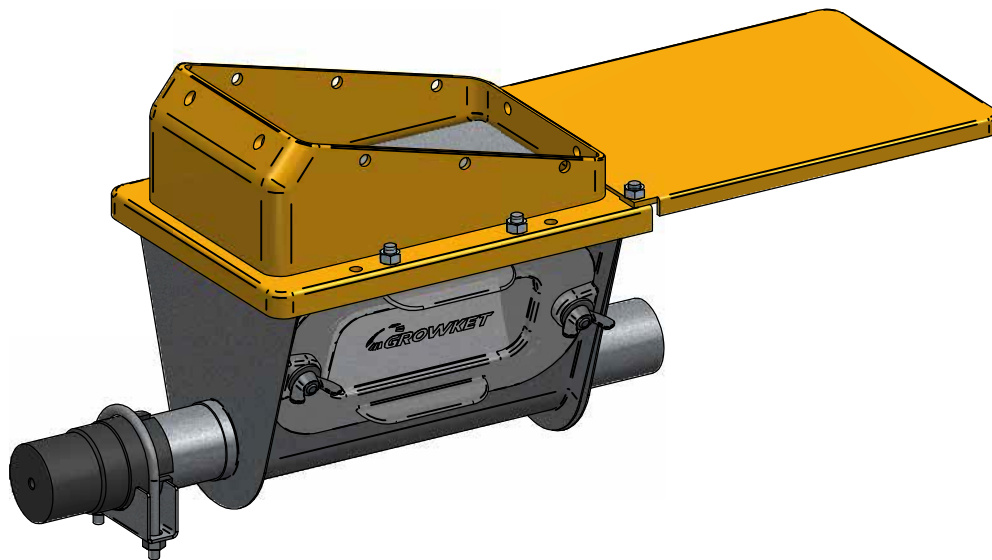
// BOOTS

TECHNICAL DATA

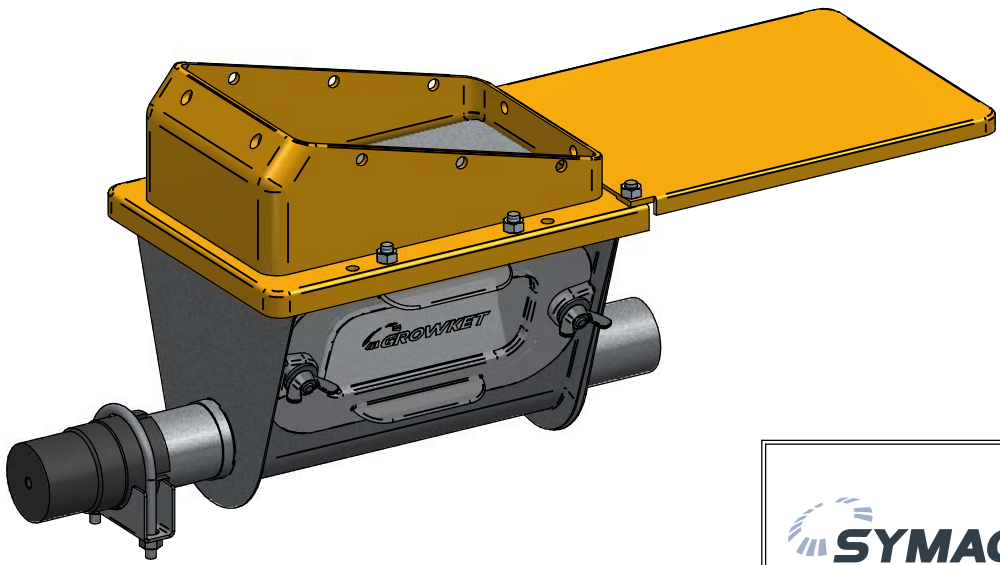
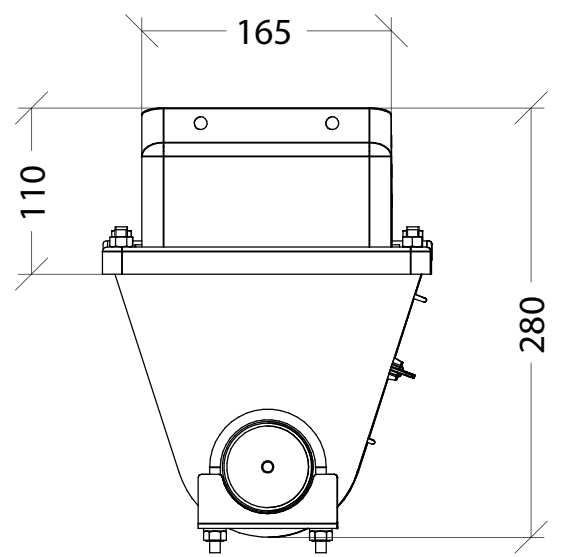
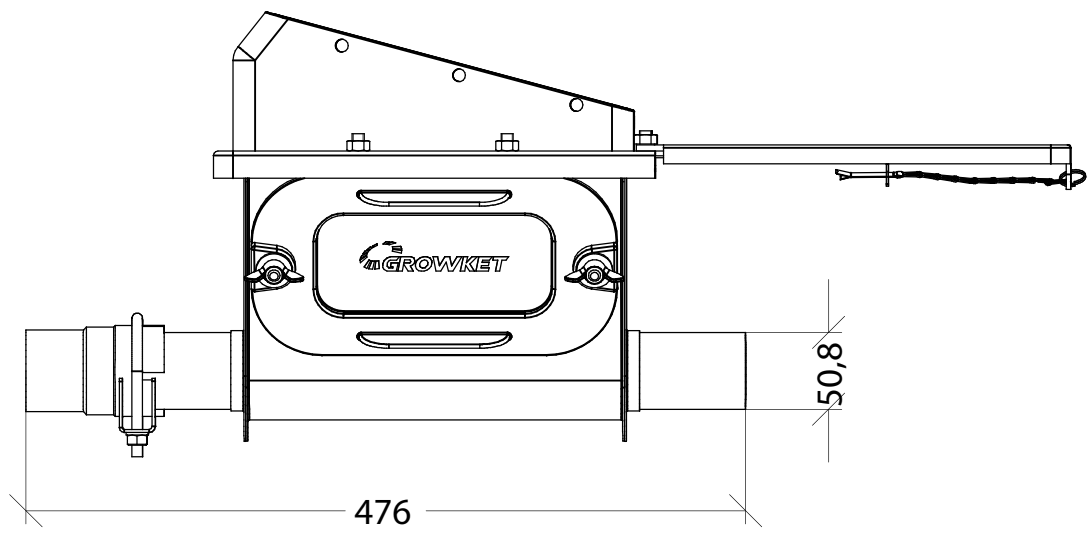
Ø 55 m to Ø 125


1 to 4 exits

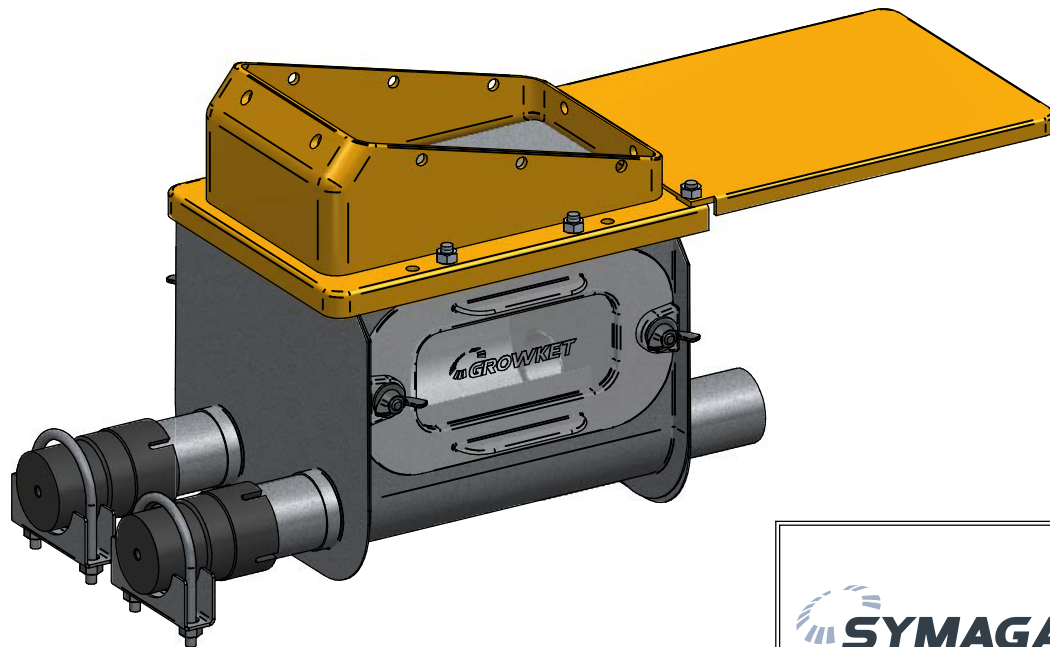
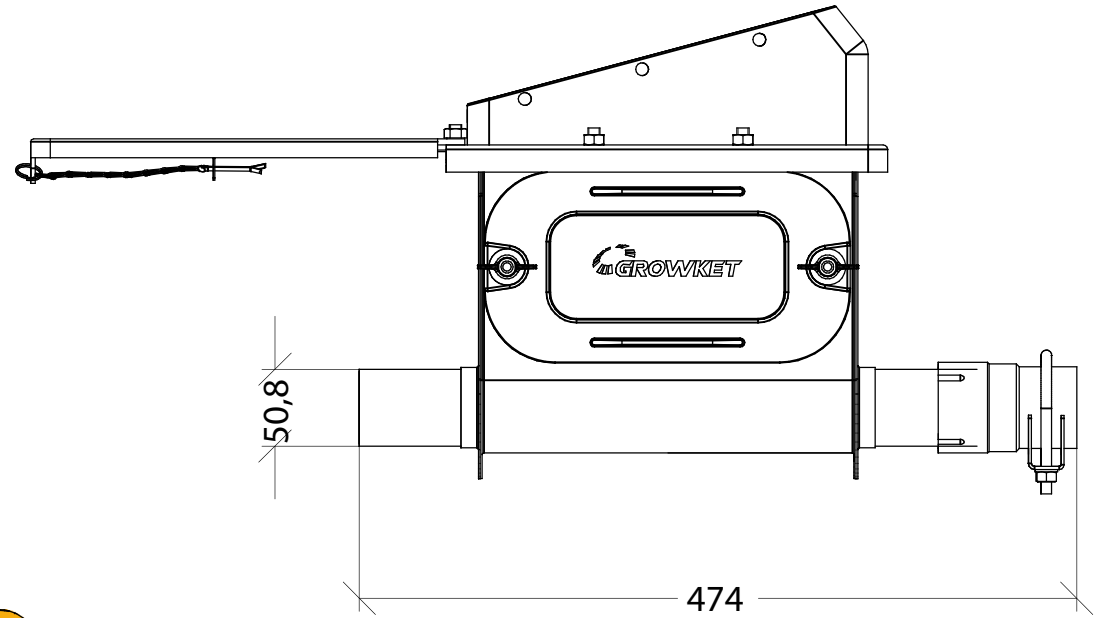
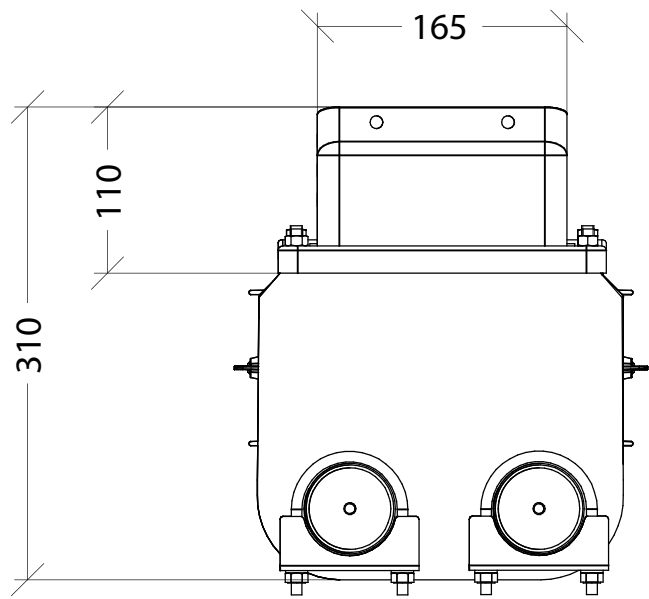
Tandem



 **SYMAGA**



	CAJETÍN INOXIDABLE 1 SALIDA	O55	S/E
	STAINLESS STEEL BOOT 1 EXIT	O55	
	EMBASES ACIER INOXYDABLE 1 SORTIE	O55	
COD: G02011021000			



CAJETÍN INOXIDABLE 2 SALIDAS
 STAINLESS STEEL BOOT 2 EXITS
 EMBASES ACIER INOXYDABLE 2 SORTIES

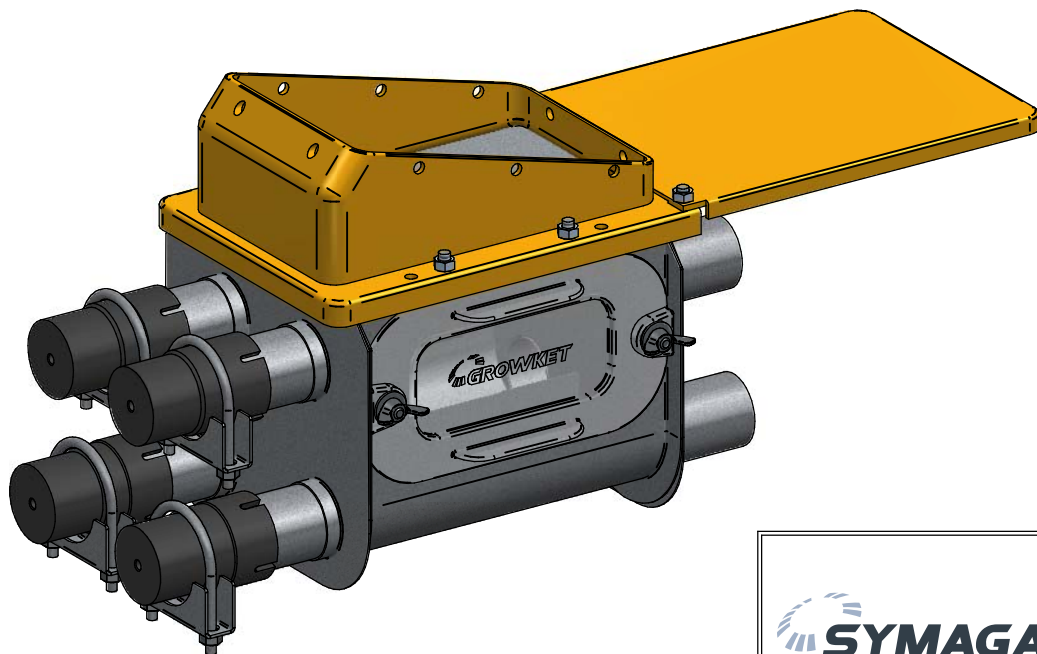
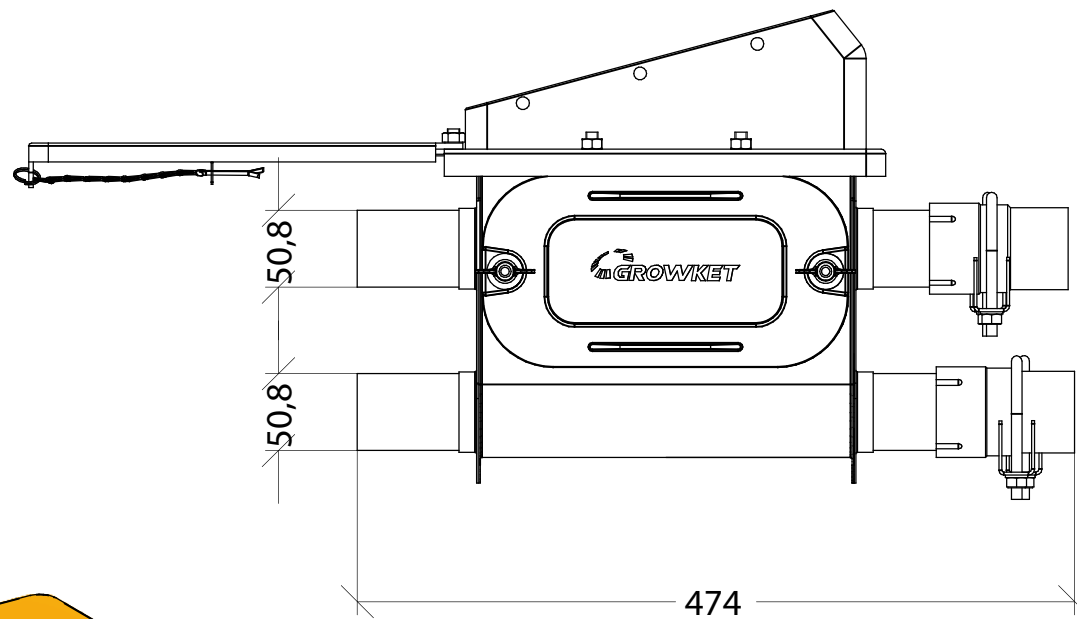
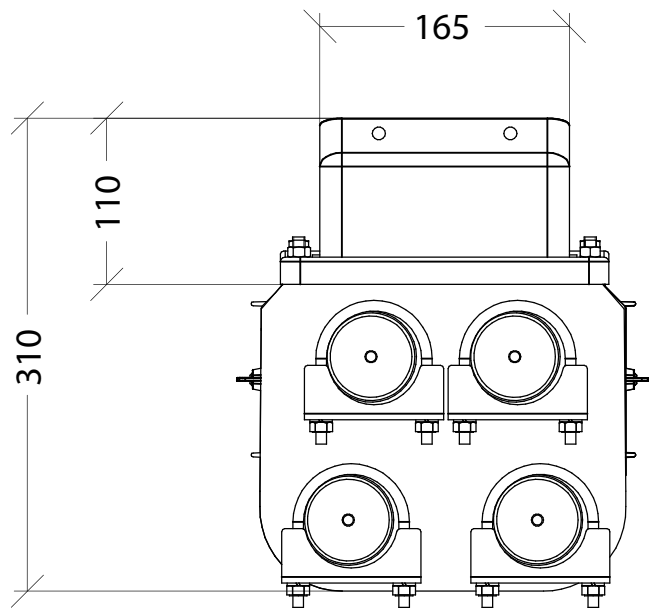
O55

O55

O55

S/E

COD: G02011022000



 **SYMAGA**

CAJETÍN INOXIDABLE 4 SALIDAS
 STAINLESS STEEL BOOT 4 EXITS
 EMBASES ACIER INOXYDABLE 4 SORTIES

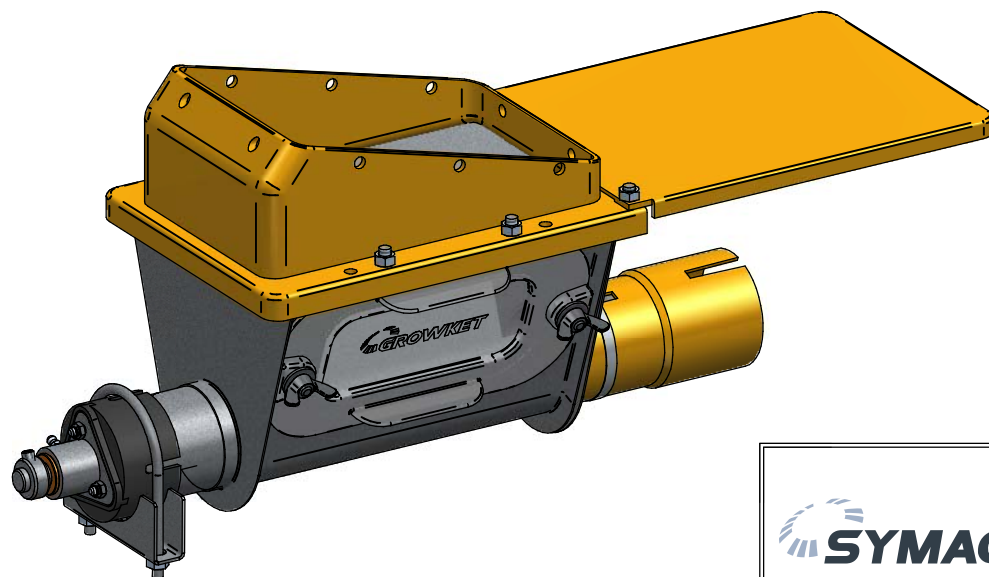
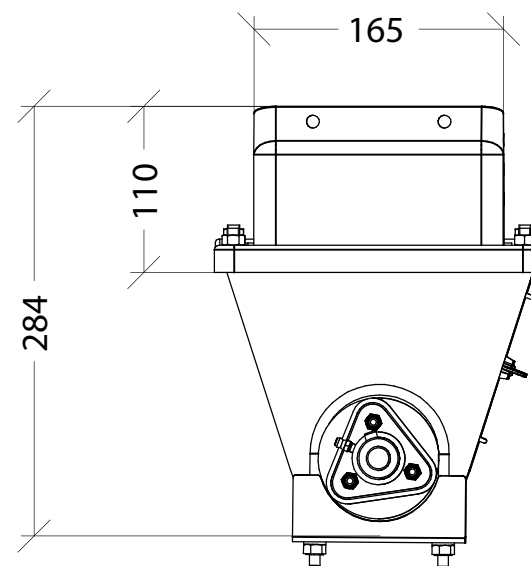
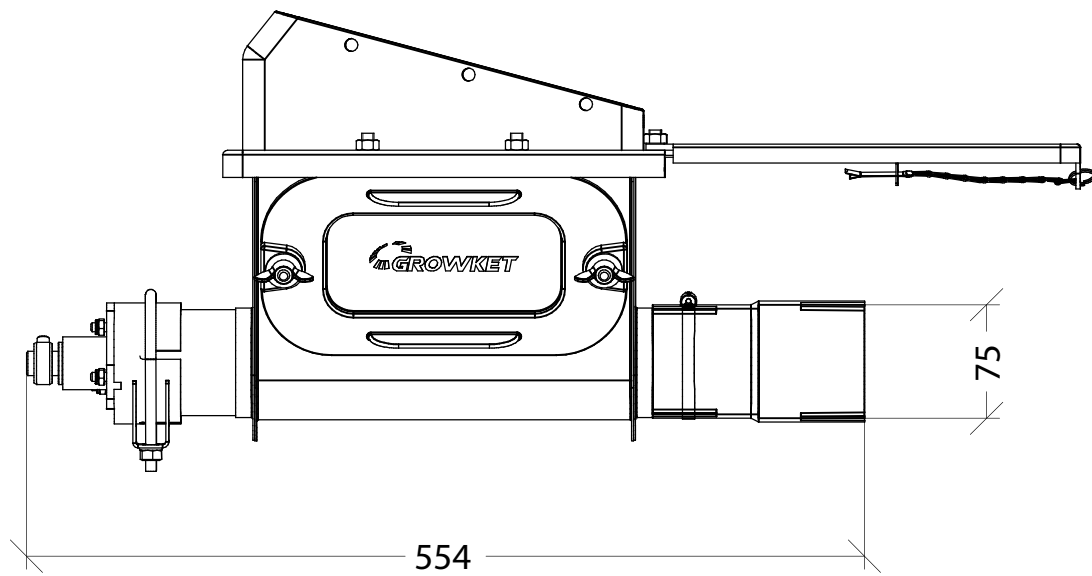
O55

O55

O55

S/E

COD: G02011023000

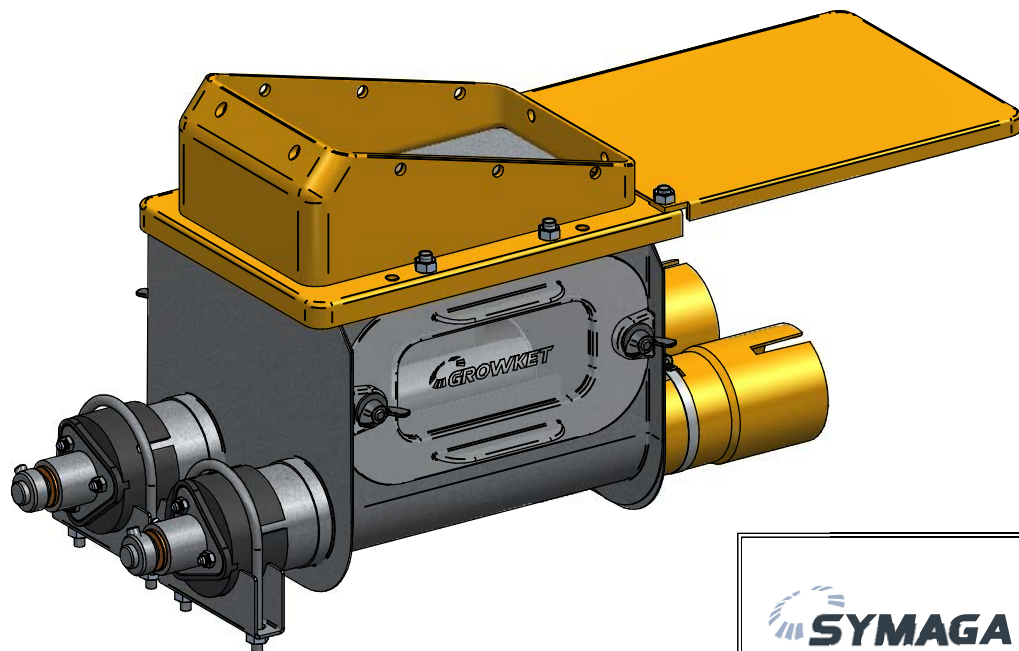
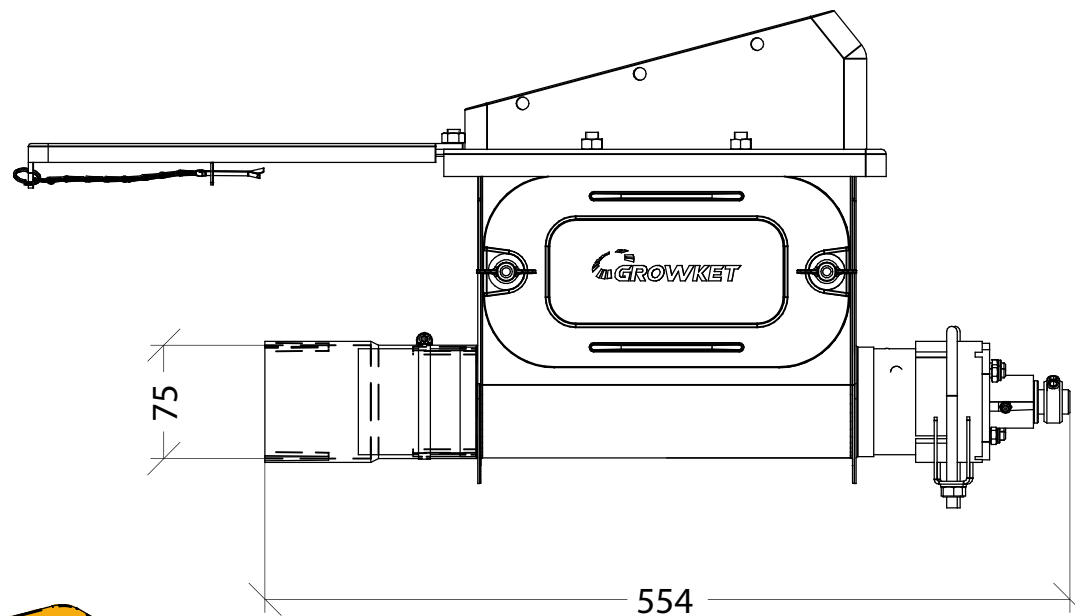
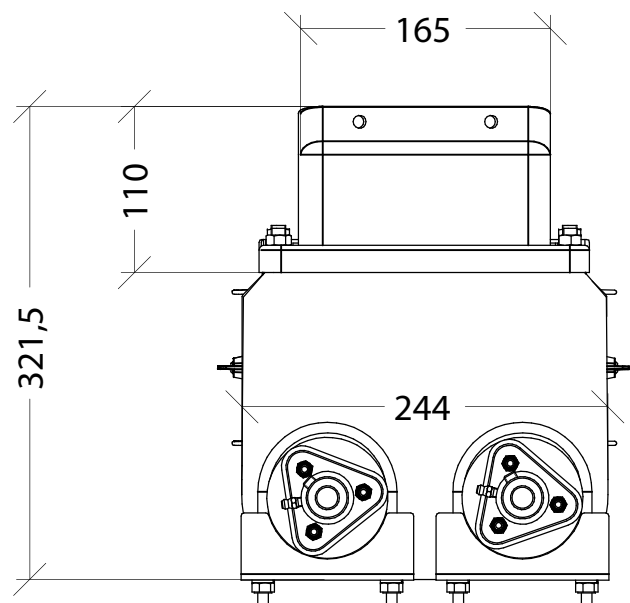



CAJETÍN INOXIDABLE 1 SALIDA
 STAINLESS STEEL BOOT 1 EXIT
 EMBASES ACIER INOXYDABLE 1 SORTIE

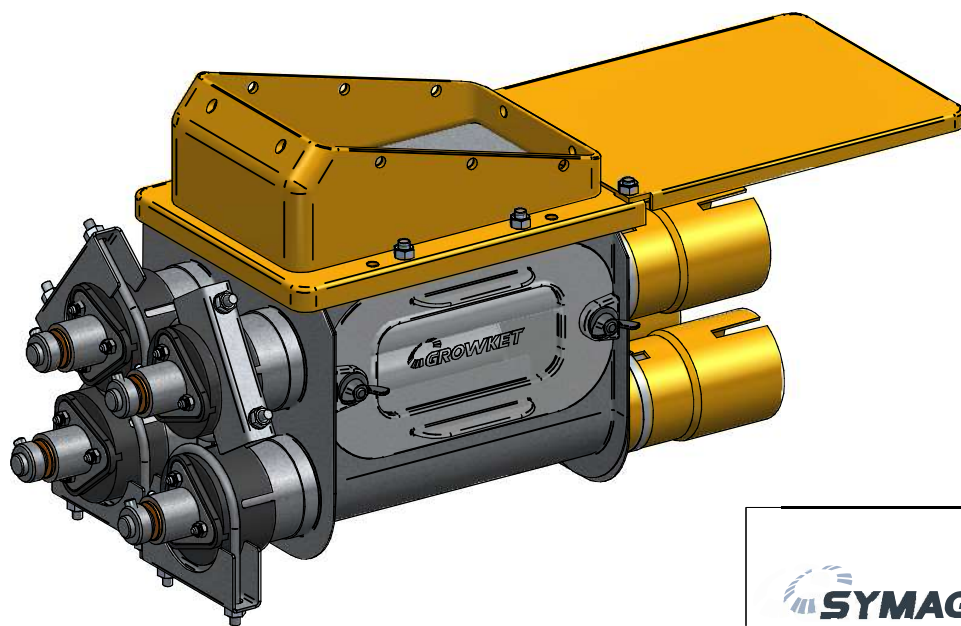
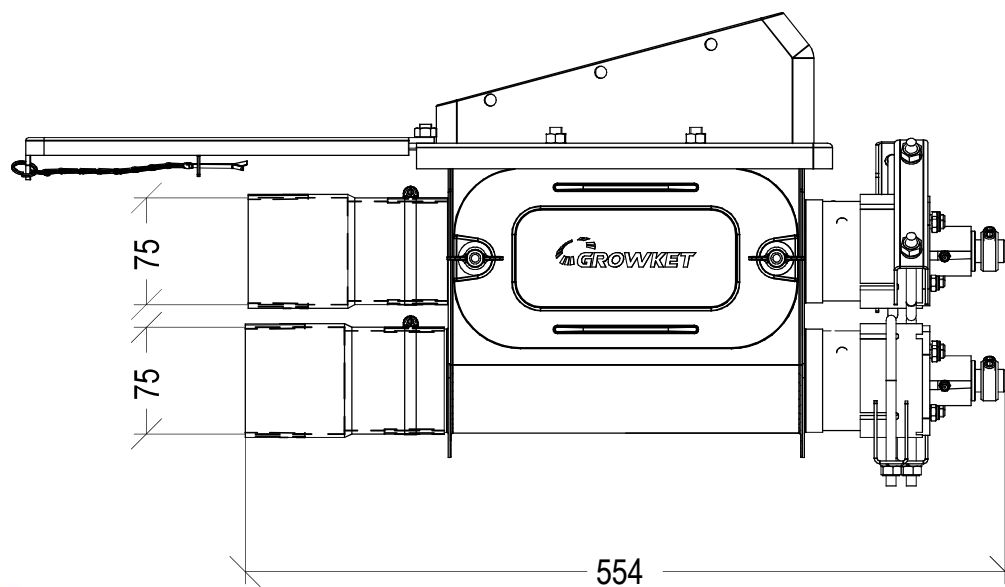
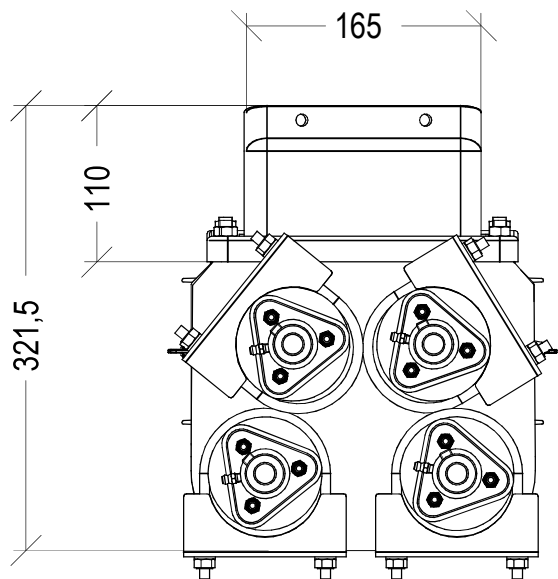
O75
 O75
 O75

S/E

COD: G02011031000



	CAJETÍN INOXIDABLE 2 SALIDAS	075	S/E
	STAINLESS STEEL BOOT 2 EXITS	075	
	EMBASES ACIER INOXYDABLE 2 SORTIES	075	
COD: G02011032000			

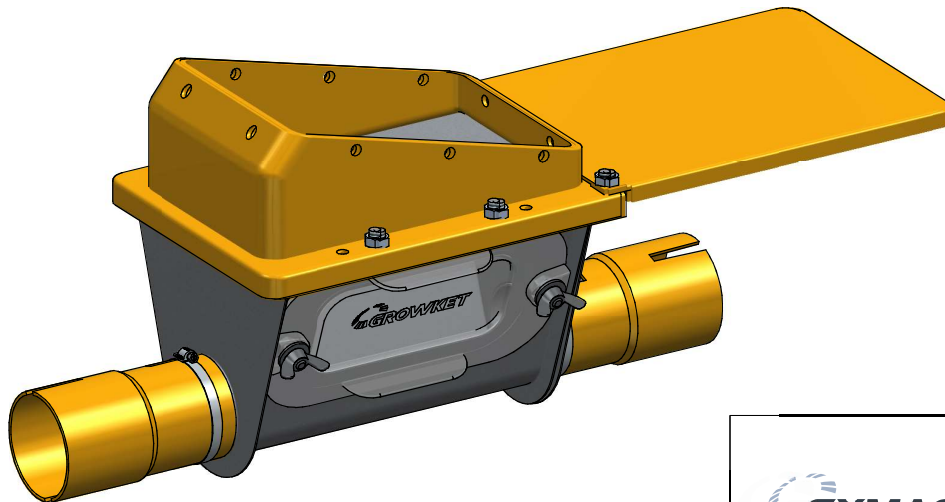
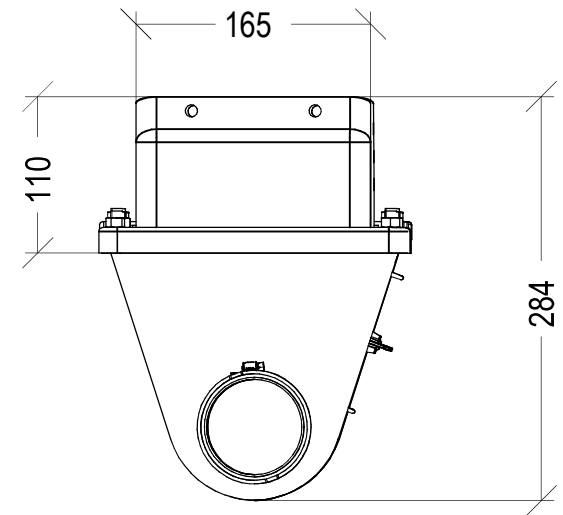
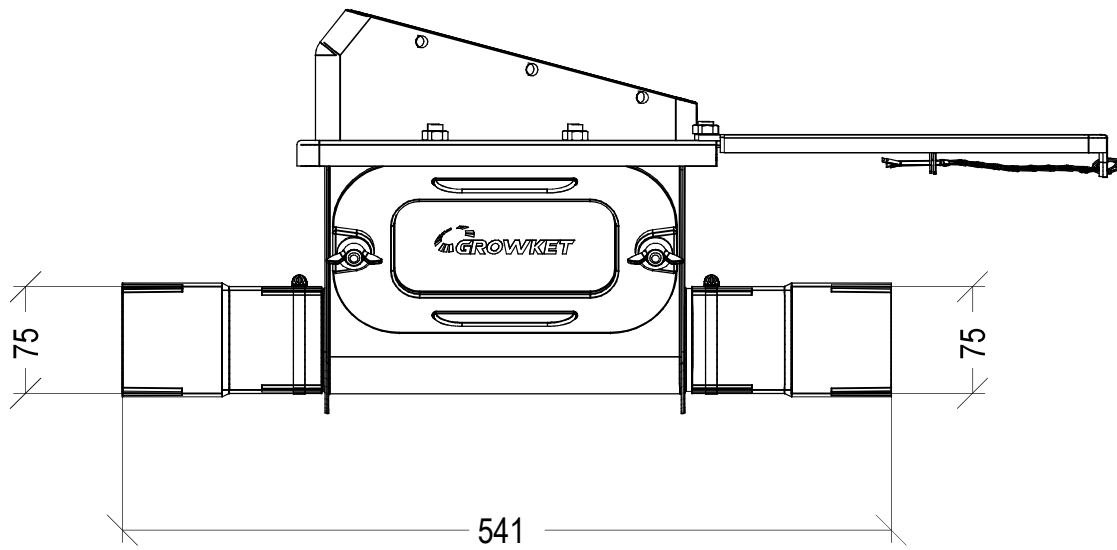


CAJETÍN INOXIDABLE 4 SALIDAS
 STAINLESS STEEL BOOT 4 EXITS
 EMBASES ACIER INOXYDABLE 4 SORTIES

O75
 O75
 O75

S/E

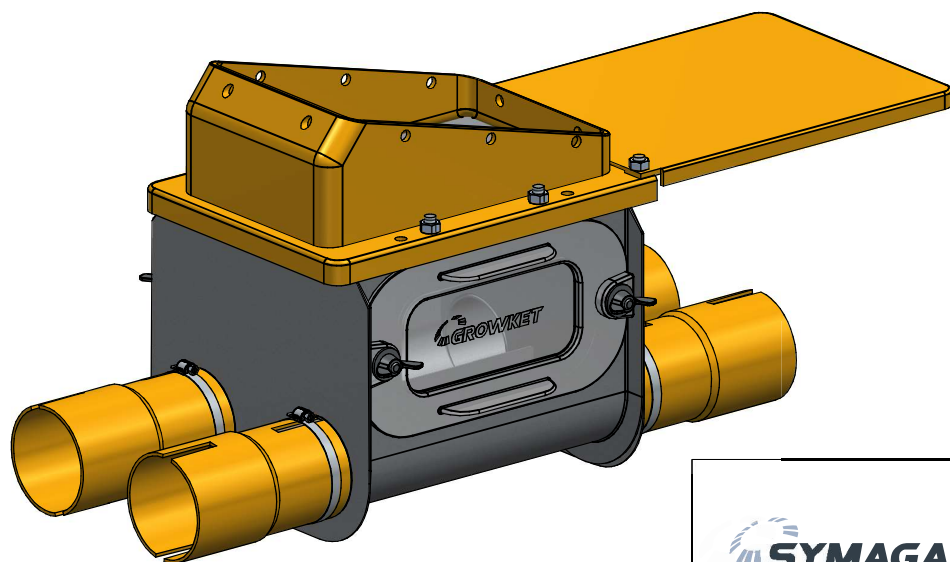
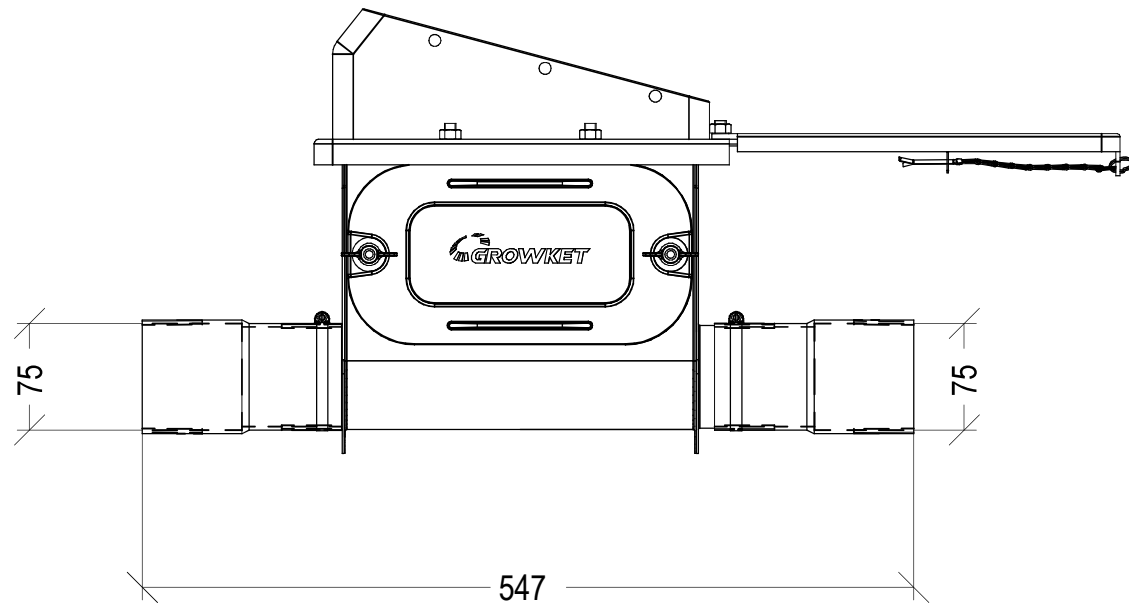
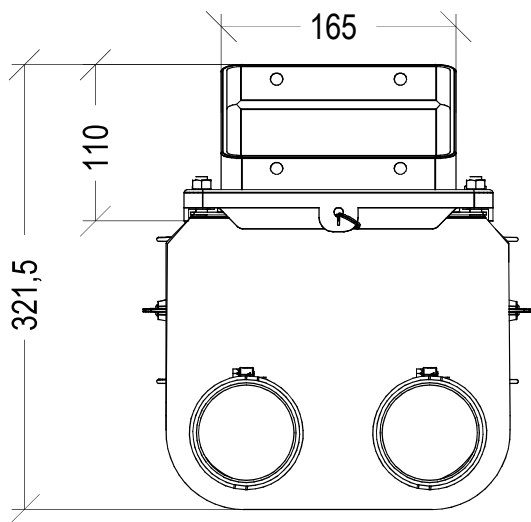
COD: G02011033000



CAJETÍN INOXIDABLE 1 SALIDA TÁNDEM O75
 STAINLESS STEEL BOOT 1 EXIT O75 FOR TANDEM
 EMBASES ACIER INOXYDABLE 1 SORTIE O75 POUR TANDEM

S/E

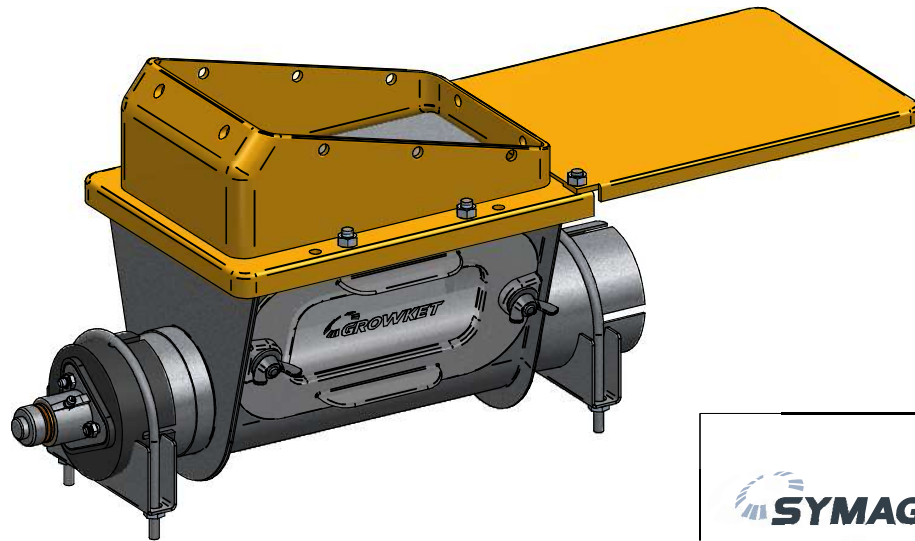
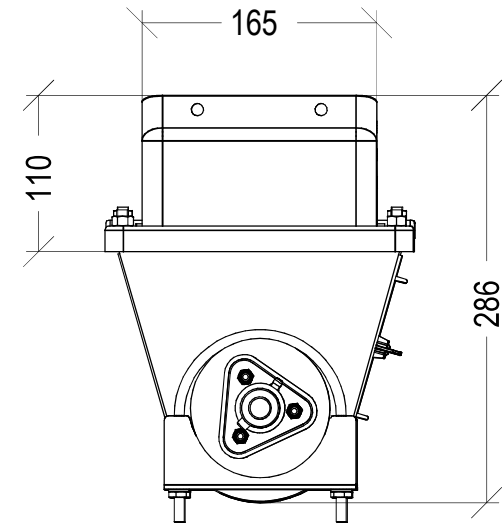
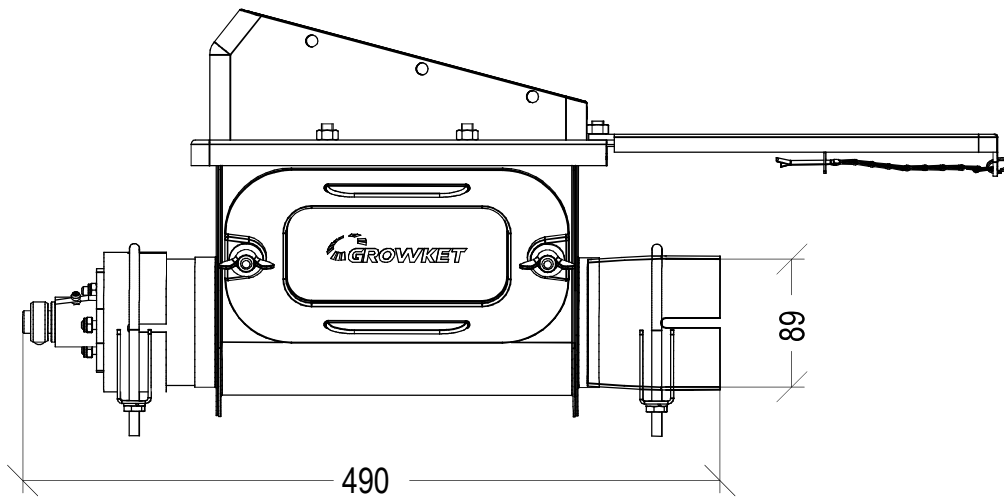
COD: G02011034000



CAJETÍN INOXIDABLE 2 SALIDAS TÁNDEM O75
 STAINLESS STEEL BOOT 2 EXITS O75 FOR TANDEM
 EMBASES ACIER INOXYDABLE 2 SORTIES O75 POUR TANDEM

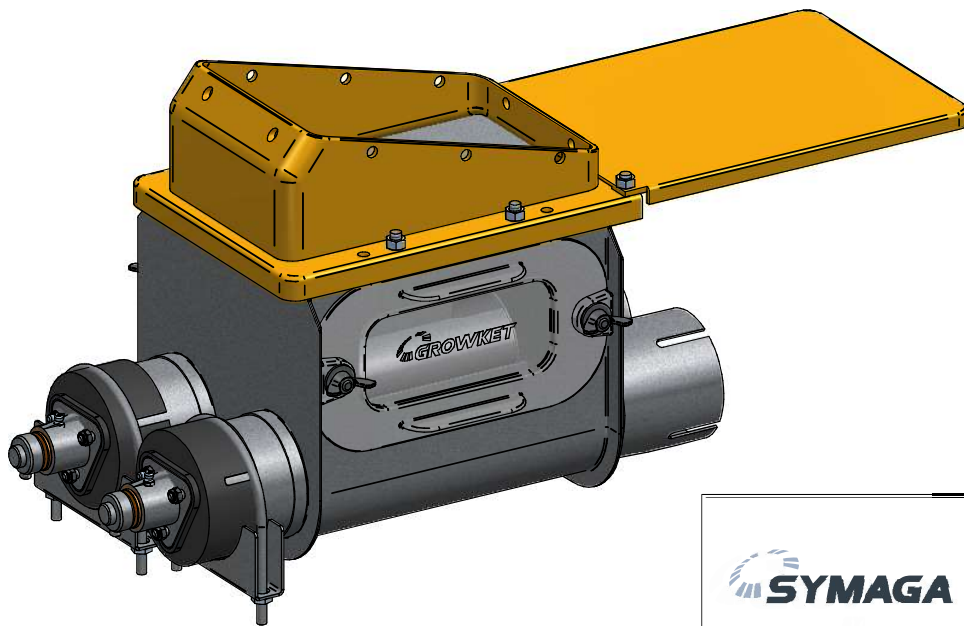
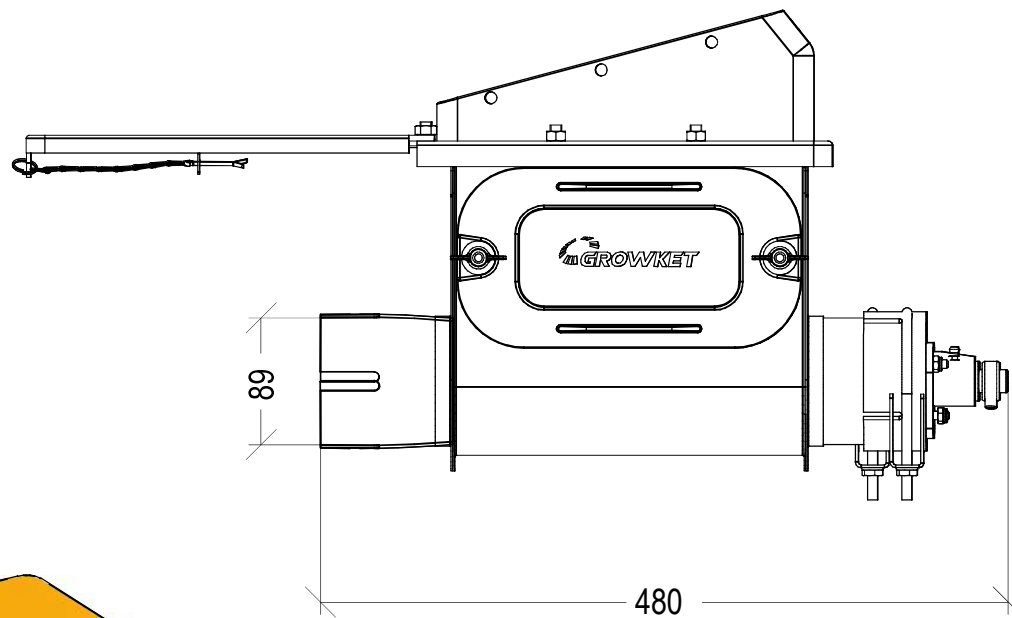
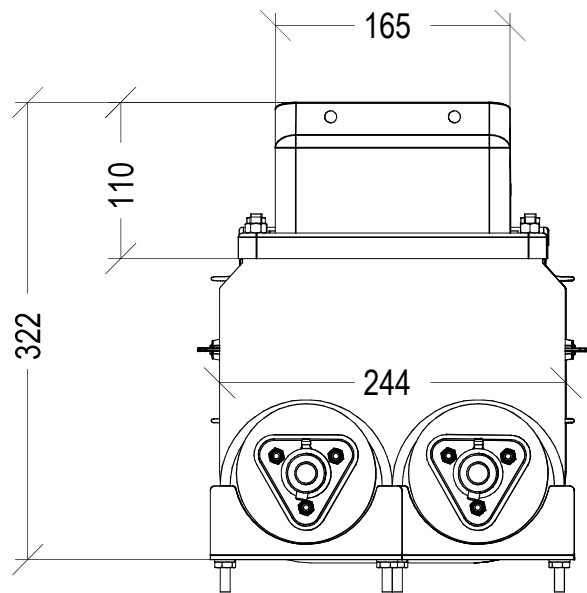
S/E


COD: G02011035000

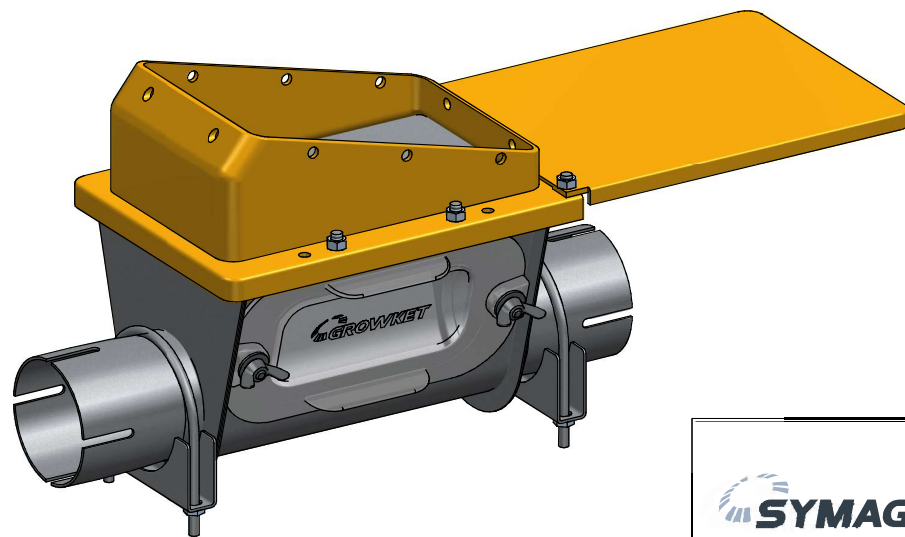
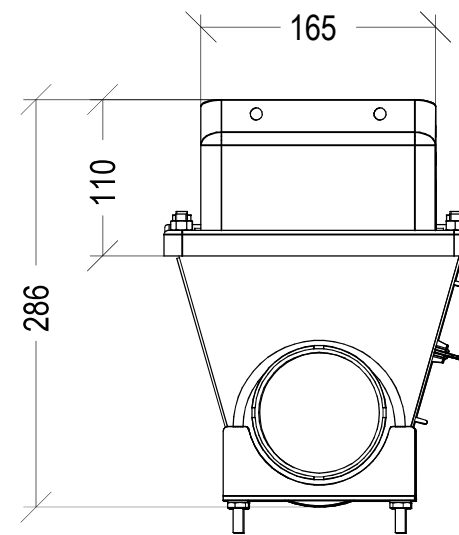
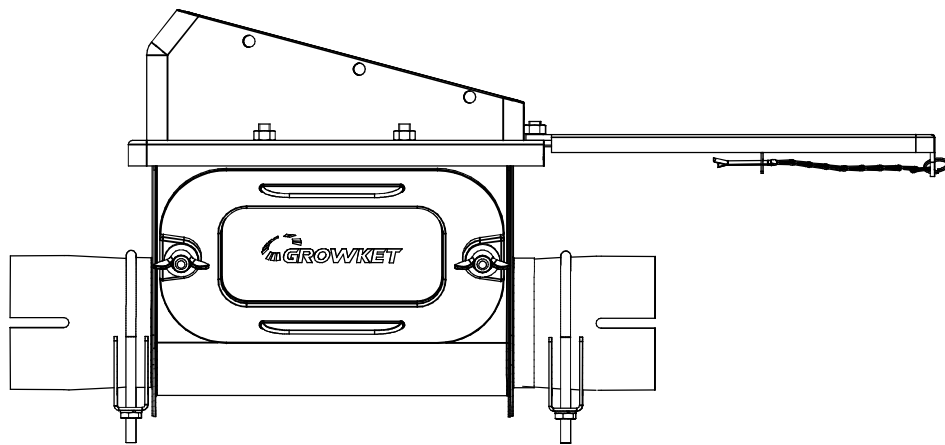



CAJETÍN INOXIDABLE 1 SALIDA	O90	
STAINLESS STEEL BOOT 1 EXIT	O90	
EMBASES ACIER INOXYDABLE 1 SORTIE	O90	S/E

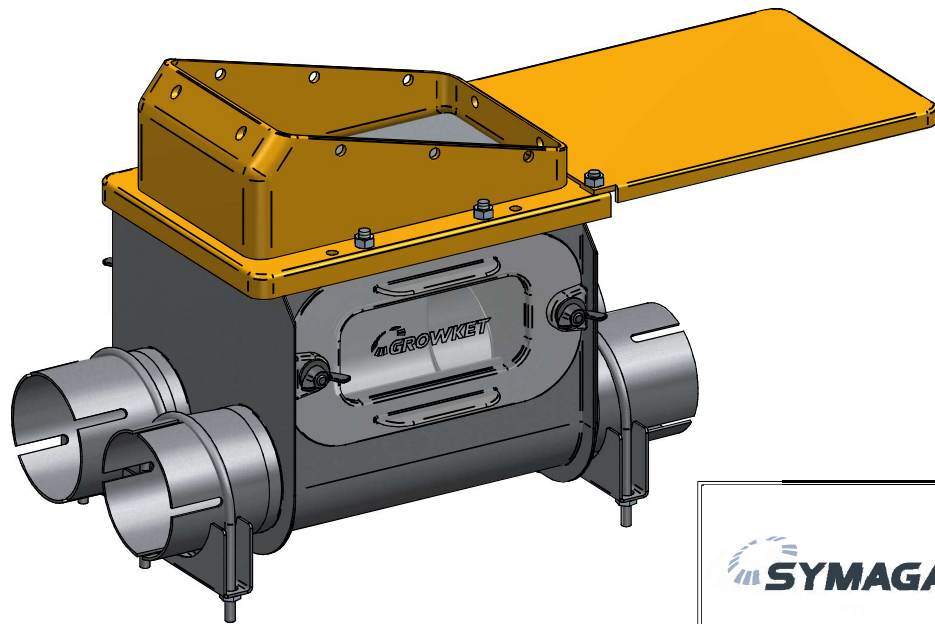
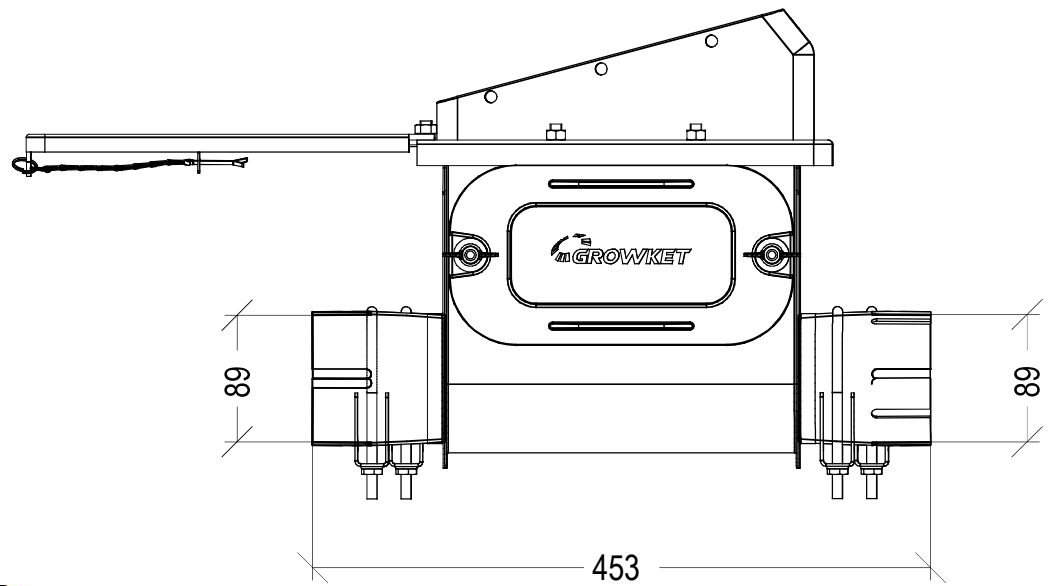
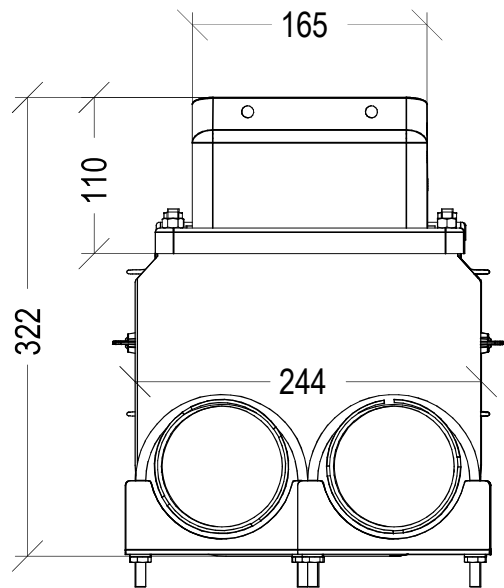
COD: G02011041000




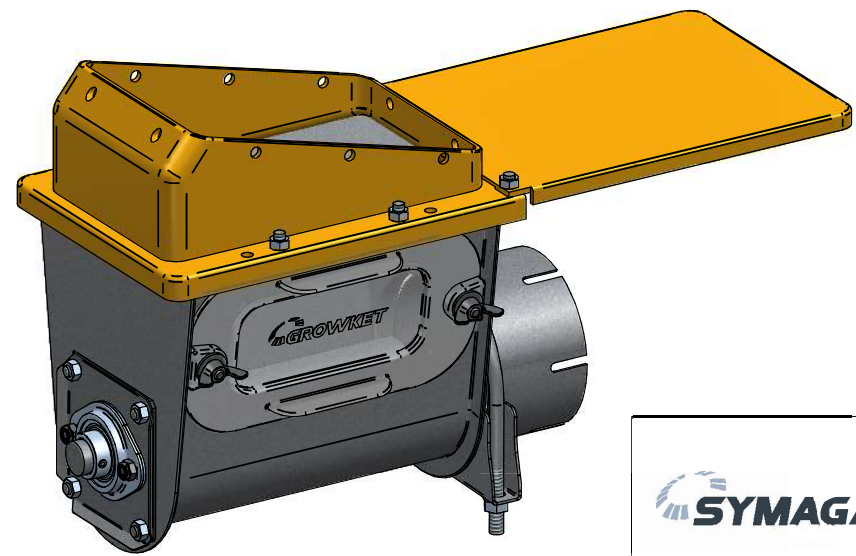
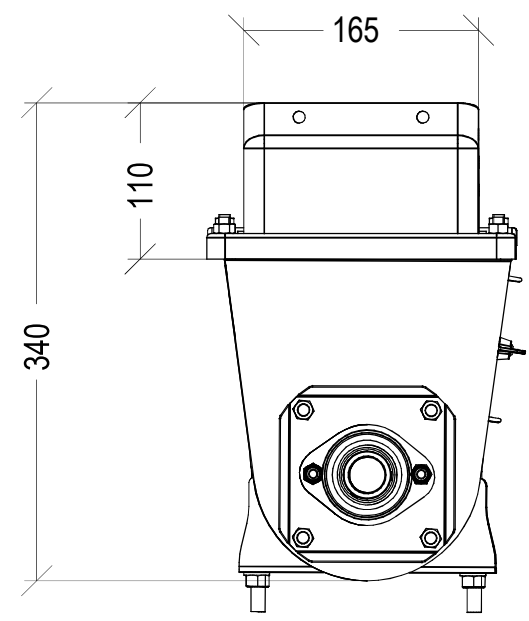
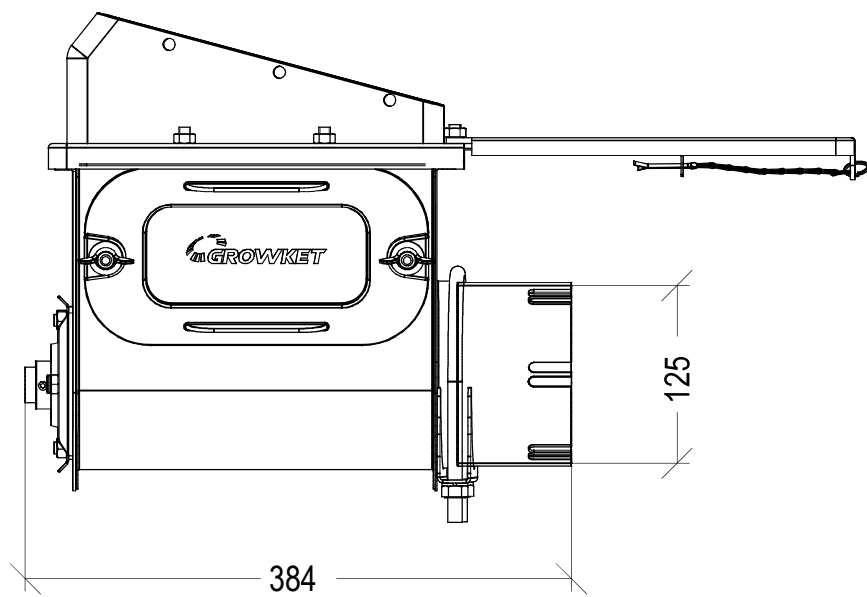
	CAJETÍN INOXIDABLE 2 SALIDAS	O90	
	STAINLESS STEEL BOOT 2 EXITS	O90	
	EMBASES ACIER INOXYDABLE 2 SORTIES	O90	S/E
COD: G02011042000			




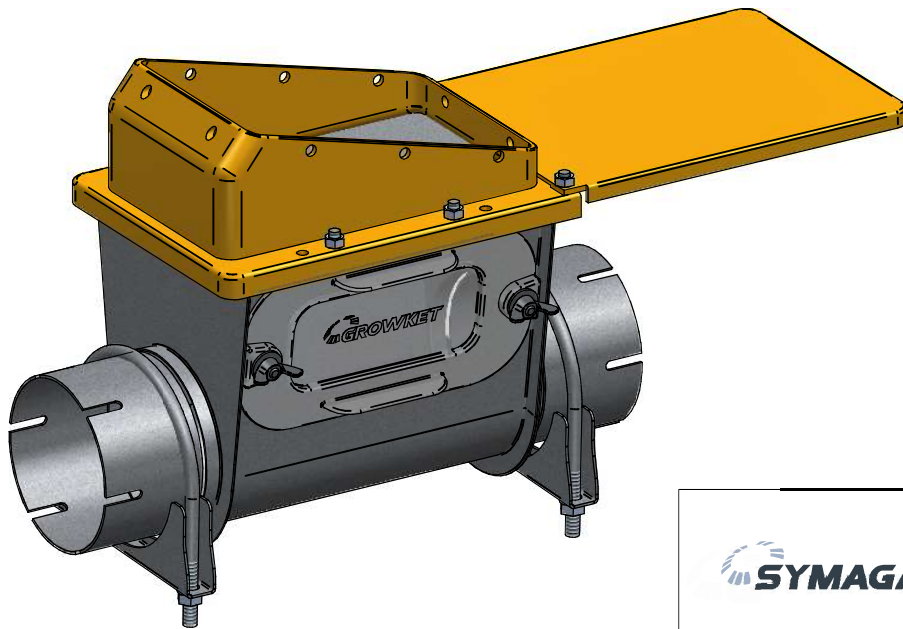
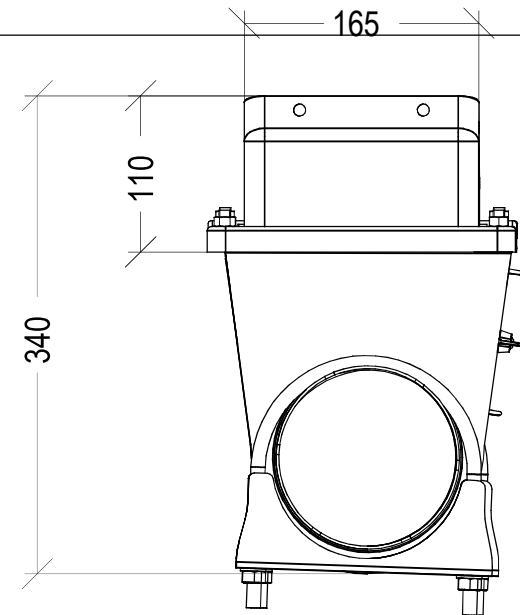
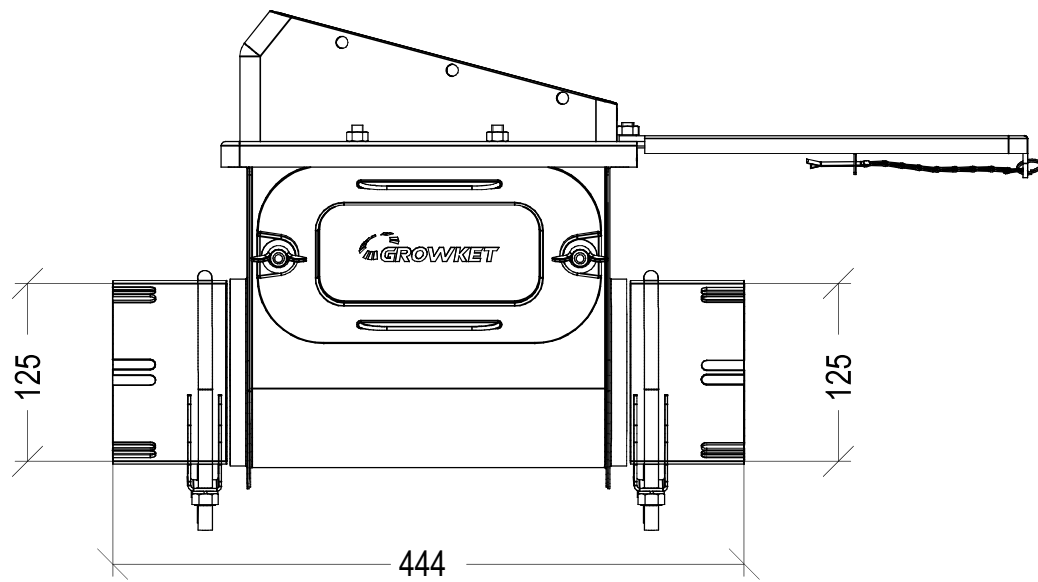
	CAJETÍN INOXIDABLE 1 SALIDA TÁNDEM	O90	
	STAINLESS STEEL BOOT 1 EXIT	O90 FOR TANDEM	
	EMBASES ACIER INOXYDABLE 1 SORTIE	O90 POUR TANDEM	S/E
COD: G02011043000			



	CAJETÍN INOXIDABLE 2 SALIDAS TÁNDEM	O90	
	STAINLESS STEEL BOOT 2 EXITS	O90 FOR TANDEM	
	EMBASES ACIER INOXYDABLE 2 SORTIES	O90 POUR TANDEM	S/E
COD: G02011044000			



	CAJETÍN INOXIDABLE 1 SALIDA	O125	S/E
	STAINLESS STEEL BOOT 1 EXIT	O125	
EMBASES ACIER INOXYDABLE 1 SORTIE	O125		
COD: G02011051000			



CAJETÍN INOXIDABLE 1 SALIDA TÁNDEM	O125	
STAINLESS STEEL BOOT 1 EXIT	O125 FOR TÁNDEM	
EMBASES ACIER INOXYDABLE 1 SORTIE	O125 POUR TÁNDEM	S/E

COD: G02011052000

www.symaga.com
symaga@symaga.com

Office and Factory
Ctra. de Arenas, km. 2,300
13210 Villarta de San Juan
Ciudad Real - Spain
T: +34 926 640 475

